



Add a flirty, feminine touch to your favorite denim jacket, and transform a simple pillowcase into an adorable child's sundress!

## Adorned Denim Jacket & Pillowcase Dress

### INSTRUCTIONS:

#### Jacket

1. Position the ribbon and trim on the front, back and sleeve of the denim jacket. Rotate and move around the pieces until you are satisfied with their placement.
2. Pin in place.
3. Thread the machine with all-purpose thread and select a straight stitch or zig zag stitch.
4. Stitch along the edge of each trim piece to secure it to the denim jacket.
5. Embellish around and on top of the trims using the hot-fix applicator wand and apply crystals or by hand sewing on beads or buttons.

#### Supplies:

- Baby Lock Anna sewing machine
- Purchased denim jacket
- Purchased standard pillowcase
- 3-4 yard spool of decorative ½" wide ribbon
- 3 yards decorative trim or lace
- 1 package of extra wide double-fold bias tape
- 14" of ¼" wide elastic
- All-purpose thread
- Small sharp sewing scissors
- Pins
- Seam ripper
- Chalk
- Tape measure
- Hot-fix wand and crystals OR beads or buttons and hand sewing needle



For other exciting projects like this one, visit [www.totallystitchin.net](http://www.totallystitchin.net) and [www.babylock.com](http://www.babylock.com)



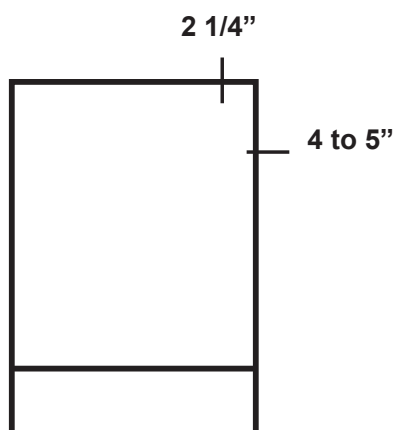
## INSTRUCTIONS:

### Pillowcase Dress

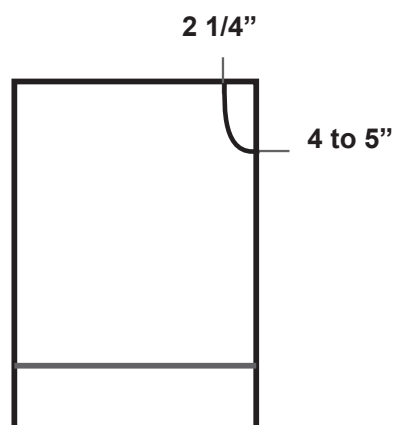
1. Cut the end seam off the pillowcase. This will be the top.

**Note:** If the desired length of the dress is shorter than the pillowcase, cut off excess from the end seam side, not the finished pillowcase hem before continuing on to the next step.

2. To form the armholes, measure down 4" to 5" on each side and mark with chalk. Then measure over 2 1/4" from the side and mark with chalk.



3. Draw in a slight curve from each of the marks.
4. Fold under the center section on the front and back to form a casing.



5. Cut the elastic into two equal pieces. Thread one piece of elastic through the front casing and secure it at the ends with a few tack stitches.
6. Repeat this for the casing on the back.
7. Divide the bias tape from the package in half equally and cut it into two pieces.
8. Fold each piece and mark the center with a pin.
9. Align the center of the bias tape with the lowest part of each armhole, encasing the raw edge in the folds of the bias tape. Pin in place.
10. Stitch along the armholes to secure the bias tape over the fabric edge.
11. Continue stitching the remaining bias tape closed to form the shoulder tie strings on the dress.
12. If the ties are too long trim as desired.



FOR THE LOVE OF SEWING