

Triumph Wrap Dress



Here is the perfect wrap dress that will showcase two different stitch options in the Baby Lock Triumph Serging machine.

Skill Level: Intermediate

Created by: Diane Kron, Software and Embroidery Project Manager

Supplies:

Baby Lock® Triumph Serging machine

McCall's® pattern #M6884 View A

Quatrefoil navy knit fabric from Riley Blake®

Madeira® Serging thread for serging to match the fabric

Clear Foot for sewing the hems

Stretch needles for knits size 11

Basic sewing supplies

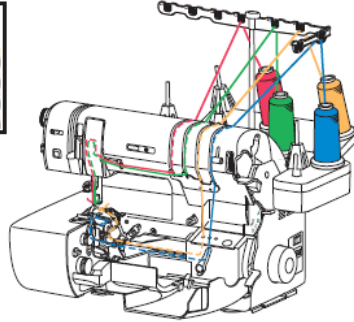
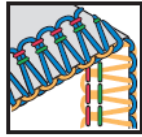


Instructions:

1. Follow the guide sheet from the pattern to layout and cut out the pattern pieces for your desired size.
2. Set up the Serger for a 4-Thread Overlock for the seaming on the dress. Use the following settings for all seams on the dress.
 - Insert the needles in 01 and 02.
 - Set the width to 7.5.
 - Set the Length to 3.0.
 - Stitch Selector A.
 - Place the Wave Selector to Overlock.
 - Blade in the up position.
 - Upper Loper Selector in the Up position.
 - Thread the machine using the new Threader.

4-Thread Overlock

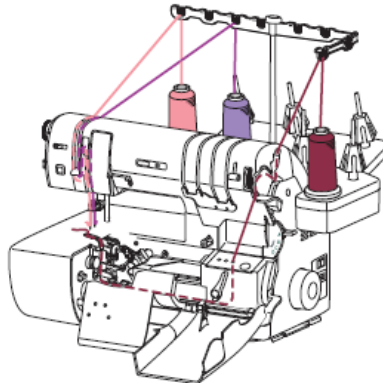
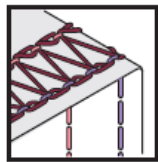
C1	C2	C3	O1	O2	Length	Width	Stitch Selector	Wave Selector	Chain Needle Tension	Chain Looper Tension
					2.5-4.0	6.5-7.5	A	OVERLOCK	—	—
Upper Looper Selector					Blade Position	Knife Cover	Subsidiary Looper			
down					up					



3. To sew a 5/8" seam allowance, line the right edge of the fabric up so that the blade cuts a slim edge away on the fabric. The left needle will sew a 5/8" seam from the right side of the fabric.
4. For sewing the hems on the dress use the following settings for a Cover Stitch. (Sleeves, neckline, and bottom hem of dress)
 - Place the needles in C1 and C3.
 - Select a length of 3.0.
 - Set the Chain Needle Tension at 5.
 - Set the Chain Looper Tension to Cover.
 - Set the Upper Looper Selector to Down.
 - Place the Blade Position to Lock. (Down)
 - Replace with the Sewing Table.
 - Thread the machine using the Madeira Serger thread.

Cover Stitch-Wide

C1	C2	C3	O1	O2	Length	Width	Stitch Selector	Wave Selector	Chain Needle Tension	Chain Looper Tension
					2.0-4.0	—	—	—	4-6	0-1
Upper Looper Selector					Blade Position	Sewing Table	Subsidiary Looper			
down					LOCK		—			



5. Fold the fabric's hem to the wrong side and press the hem with an iron.
6. Disengage the upper looper and the knife. When seaming the cover stitch, the fabric will not be cut, so the knife is not necessary.
7. Ensure that two cover stitch stretch needles are installed. Remove any other needles from the serger. A cover stitch can use either two or three needles.

Check your serger's manual if you are not sure which needles are for the cover stitch.

8. Chaining off is not possible with a cover stitch, so the first stitch must begin with the fabric under the needle. Place the fabric under the presser foot.
9. Stitch slowly across the hem. Stop sewing when you reach the end of the hem. I like to use the Clear Serger foot to make easier to see the starting point on the stitched hem. Pull up the threads from the two needles (about 8") toward you, while you are sitting at the machine, using the tweezers. Slide the tweezers under the presser foot grabbing the two threads. Gently remove the garment from the serger. The two upper threads will be pulled to the back side of the garment. Tie the threads together to secure the hem. Repeat for the other hems on the dress.

For other exciting projects like this one, visit Baby lock at www.babylock.com.



GET CONNECTED WITH E-NEWS
Sign up to get the latest promotions, new product scoop, sewing tips and free projects. ▶

Your Email Could Use A Little Embroider-E.
Subscribe to the only e-news devoted to embroidery software today!
Subscribe

©2017 Baby Lock USA. This project may be freely used by individuals for non-commercial purposes. Project instructions may not be sold or distributed without approval from Baby Lock. Baby Lock must be acknowledged as the source of the project instructions through copyright or online link