

## Lingerie Tote

by: Faye Graham



This stunning Lingerie Tote is perfect for storing that special piece of lingerie. Take it with you when traveling for an easy way to pack that one-of-a-kind piece. You will enjoy this serger project because it's simple to construct. It is the perfect gift for a bride to be!

### Supplies:

Éclipse Serger  
3/8 yd. Satin  
2/3 yd. of 1" flat lace edging  
2/3 yd. of 2-1/2 - 3" flat lace edging  
4 - Cones of all purpose thread  
1 - Spool of Sulky(TM) Rayon Thread (coordinate with fabric)  
1 - Rotary cutter, mat, and ruler

### Cutting Directions:

*From satin cut one of each piece.*

Piece #1 5-1/2" x 8" Bow  
Piece #2 1-1/2" x 6" Bow  
Piece #3 12" x 13" Tote  
Piece #4 8" x 11" Tote  
Piece #5 11" x 21" Tote Lining  
Cut 1" flat lace edging in half for 2 - 12" strips

### Serger Settings:

**Narrow Three Thread Stitch**

Stitch: Right Needle Three Thread  
 Stitch Length: 3  
 Stitch Width: M  
 Differential Feed: N  
 Tension: Balanced

**Narrow Rolled Hem**

Stitch: Right Needle Three Thread  
 Stitch Length: 2-1/2  
 Stitch Width: 3.0  
 Differential Feed: N  
 Tension: Tighten Lower Looper to 6-7

**Four Thread Seam**

Stitch: Four Thread  
 Stitch Length: 3  
 Stitch Width: M  
 Differential Feed: N  
 Tension: Balanced

**Four Thread/Gathering**

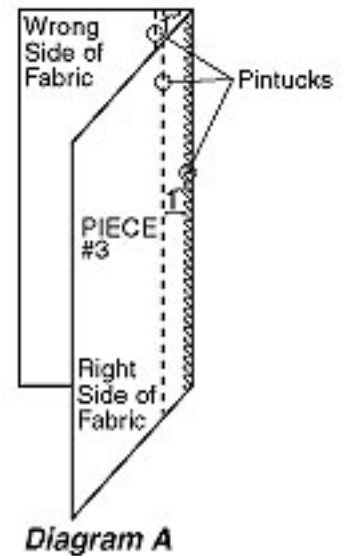
Stitch: Four Thread Gathering  
 Stitch Length: 4  
 Stitch Width: M  
 Differential Feed: 2  
 Tension: Balanced

**Bow Construction**

1. Set the serger to a narrow three thread stitch. On piece #1, serge across both short ends. With right sides together, fold the serged ends to the center, overlapping 1/2". Serge-seam the open ends together. Turn right side out and press.
2. On piece #2 serge finish all four edges. Press the long edges to the center forming one long strip. Starting at a folded edge of bow piece #1, finger gather down the center. Place top side down on center of strip. Tie the strip around the gathered piece to form a bow. Set aside.

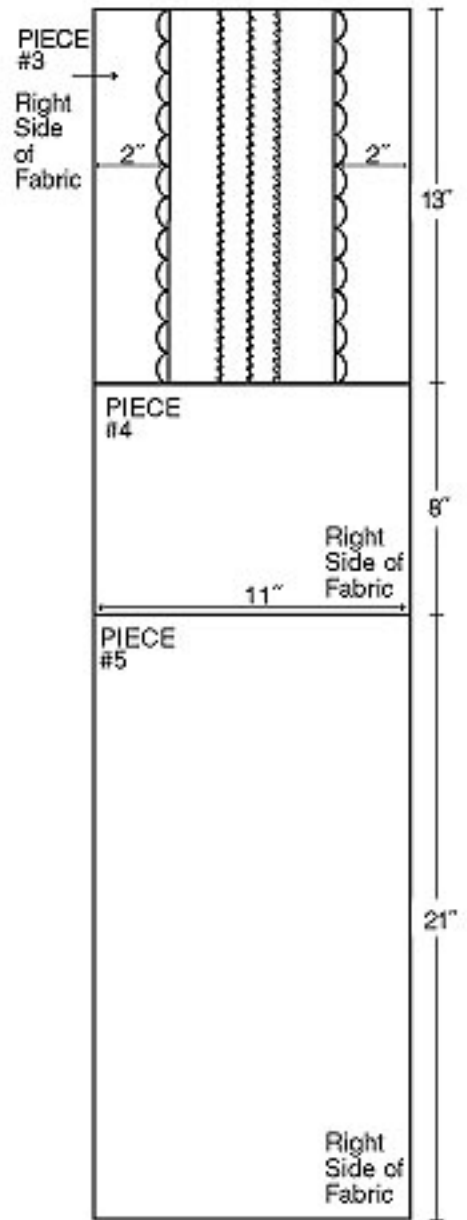
**Lingerie Tote Construction**

1. Set the serger to a narrow rolled hem. Change the upper looper thread to Sulky Rayon. To prevent cutting the fabric, lock the blade. On piece #3 fold wrong sides together so the piece measures 6" x 13". Sew over the center fold to form a pintuck. Fold and sew another pintuck 1" from the center pintuck on each side. Press tucks to one side.



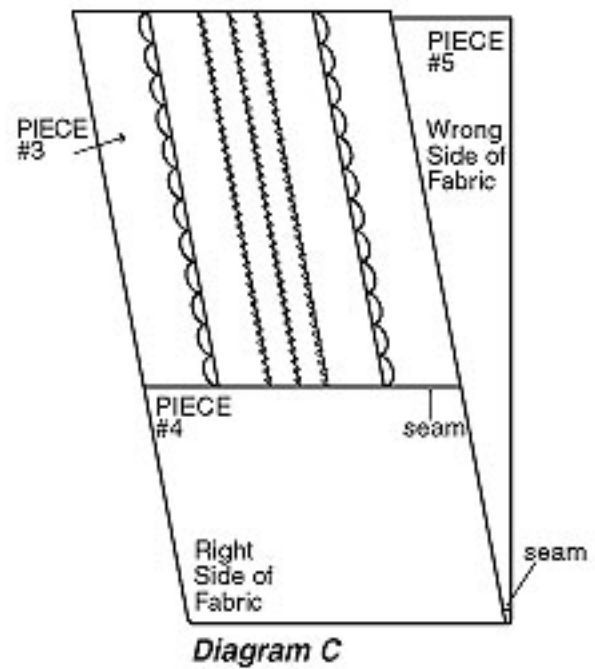
2. Measure 2" from the right and left pintuck. Fold fabric lengthwise wrong sides together and press. Lay the straight edge of the 1" lace edging on the fold, with the scallop edge toward the raw fabric edge. Keeping lace even with the fold, sew lace to the fold using the narrow rolled hem stitch.
3. Set the serger for four-thread gathering. Change the upper looper thread to all purpose sewing thread. Gather the wide piece of lace edging. Set aside.

4. Unlock the blade. Set the stitch length to 3, and the differential feed to "N". Place the 11" edges of #3 and #4 right sides together. Serge a 1/4" seam allowance. Press the seam to one side. Match the remaining 11" edge of piece #4 to the 11" edge of piece #5 right sides together. Serge a 1/4" seam and press to one side.

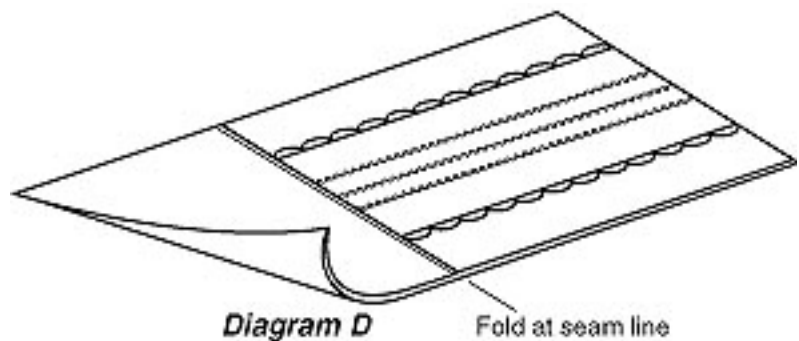


**Diagram B**

5. Fold the joined sections in half, wrong sides together at the seam line joining pieces #4 and #5.

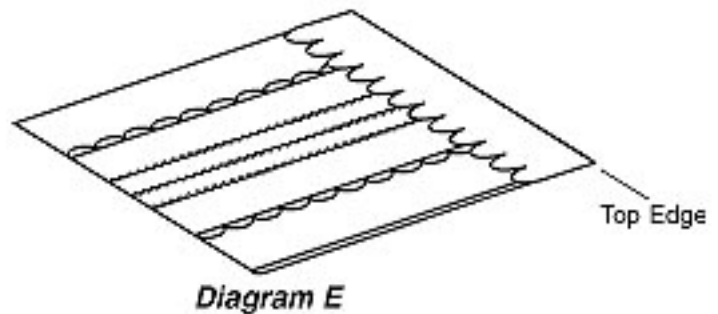


6. With decorative stitch side facing up, fold bottom of bag at seam line.



7. Sew side seams making sure to catch all layers. Turn bag right side out and press. Press under the serged sides of the top flap.

8. Match gathered edge of lace at top raw edges of bag, right sides together. Change the stitch width to 7.5 and serge the lace to the top edge. Press flat.



9. Place bow on the center front pintuck and hand tack in place.

### Helpful Hints

- When sewing pintucks, attach the blind hem foot to the machine. The guide on the foot is adjustable and is perfect for guiding pintucks.
- When sewing pintucks, lift the front of the presser foot and slide the fold under the foot approximately 1/2".
- Hold the serger chain as you begin sewing so that it does not get caught in the pintuck.
- Lock the cutting blade to prevent cutting into the fabric.
- The cutting blade on the Éclipse is fully adjustable. To achieve a delicate pintuck, set the stitch width at 3.0.