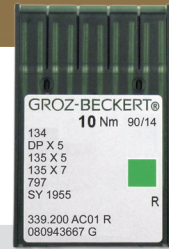


NEEDLE AND THREAD GUIDE

Use only the correct needle system as recommended by Baby Lock. For the Coronet, this is **needle system 134**. This needle system is designed to withstand high stitching speeds. Choose among sizes 12/80 through 20/125 according to the type of thread you are using.



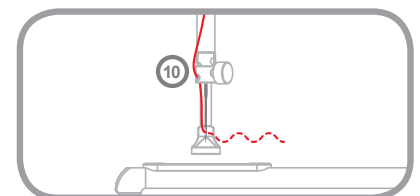
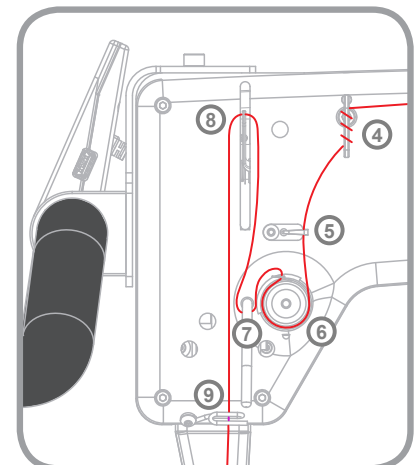
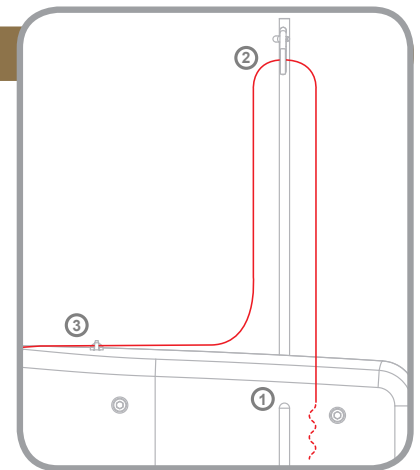
NEEDLE SIZE	THREAD SIZE
12/80 and 14/90	monofilament, 100 wt. silk, 60 wt. poly, mylar
16/100	monofilament, hologram, 100 wt. silk, 60 wt. poly, 50 wt. poly, 50 wt. cotton, some 40 wt. threads.
18/110	40 wt. cottons and poly, 30 wt. cottons and poly
20/125	Any thread 30 wt. and heavier such as 12 wt., 19 wt., 30 wt.

TO THREAD THE CORONET

- Place thread cone onto spool post ①, insert the thread through the thread antennae eyelet ② from back to front, continuing to the thread guide ③.
- Continue to the three-hole thread guide ④. Wrap all three holes from back to front, being careful not to cross threads. This is recommended for most threads. However, some very delicate threads or metallic threads may require less tension. If you have problems with thread breaking, try threading only one or two holes of thread guide ④.
- The thread continues down to thread guide ⑤ and to the tension assembly ⑥.

IMPORTANT: The thread must be flossed up between the two tension discs. If the thread is not firmly in place between the two tension discs, the thread will lay on top of the tension discs (no tension) and thread looping on the bottom of the quilt can occur.

- After the thread is in place, be sure that the thread catches on the take up spring and then pull it down under the stirrup thread guide ⑦.
- Bring the thread up and through the take-up lever from back to front ⑧, and then to the pigtail thread guide ⑨, and thread through the needle bar thread guide hole ⑩.
- Make sure the thread follows the groove down the front of the needle and insert thread through the eye of the needle from front to back. While pulling thread through the eye of the needle be careful that the thread does not twist around the needle.



CORONET SCREEN BUTTONS

TOOLBAR BUTTONS



Touch this icon to open the *Main Screen*.



Touch this icon to open the *Tools*.



Touch this icon to see *System Information*.

The toolbar buttons are available on every Coronet screen. For more information about tools and settings, see the *Machine Tools* and *Information Screen* sections of the Coronet manual.

OTHER BUTTONS ON THE MAIN SCREEN



Needle-stop button: Touch the button to alternate between having the needle stop in the up or down position when you stop stitching. Your choice displays in gold (as shown at the left). This button does not move the needle, but rather indicates your preference for the final needle position when quilting is stopped.



LED lights button: Touch the LED lights button to turn lights on or off.

MACHINE TOOLS BUTTONS

After you select the *Tools* button, the following options are available:



Opens the on-screen *Calculator*.



Opens the *Diagnostics* screen for accessing the diagnostics tests that you may be asked to perform by Baby Lock product support or authorized Baby Lock retailer.



Opens the *Alarms* screen for setting the overspeed and quilting alarms.



Tracks elapsed *quilting time* and the *number of stitches* in a quilt.



Opens the *Language* screen for selecting the language used on the Coronet information screens. The choices are English, French, German, and Spanish.



Updates machine and display software downloaded to a USB drive when a new version is released.

STITCHING MODES



Manual Stitching Mode: Touch the Manual button and then specify the stitches per minute by pressing the plus (+) or minus (-) buttons on the screen or selecting one of the two stitches-per-minute presets.

When using the manual stitching mode, the length of the stitch is determined by how quickly or slowly you move the machine around the quilt, in combination with the number of stitches per minute (up to 1800) you have selected. For a consistent stitch length, move the machine at a consistent speed. Experiment with different combinations of quilting speed and stitches per minute to find what optimally works for you.



Regulated Stitching Mode: Touch the Regulated button and then select either Cruise or Precision stitch regulation. Stitch regulation maintains a consistent stitch length (stitches per inch) regardless of how quickly or slowly you move the machine.



Cruise Stitch Regulation: Touch the Cruise button and then specify the stitches-per-inch and stitches-per-minute settings. After you press the Start/Pause button on the handlebars, the machine immediately begins quilting according to the stitches-per-minute and stitches-per-inch settings. The needle continues stitching at the cruise speed (stitches per minute) until you press the Start/Pause button on the handlebars.



Precision Stitch Regulation: Touch the Precision button and then specify the stitches-per-inch setting. After you press the Start/Pause button on the handlebars, move the machine for it to begin quilting according to the stitches-per-inch setting. When you stop moving the machine, stitching stops but just until you move it again. Press the Start/Pause button on the handlebars to fully stop quilting.