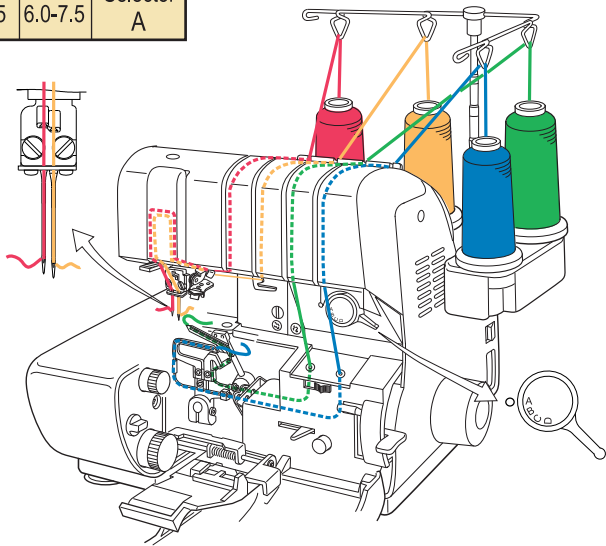
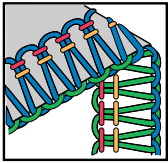


# **baby lock** Quick Reference Threading Guide *imagine*<sup>®</sup>

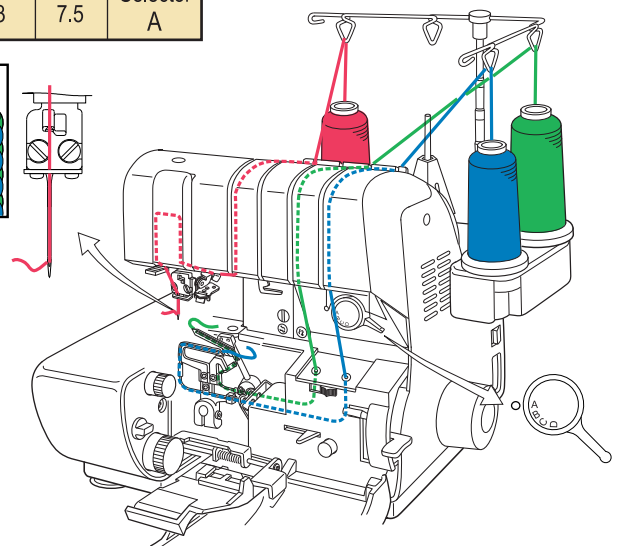
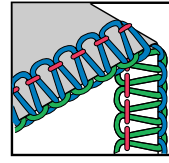
## 4-Thread Overlock

Needles	Length	Width	Stitch Selector
left & right	2.5-3.5	6.0-7.5	A



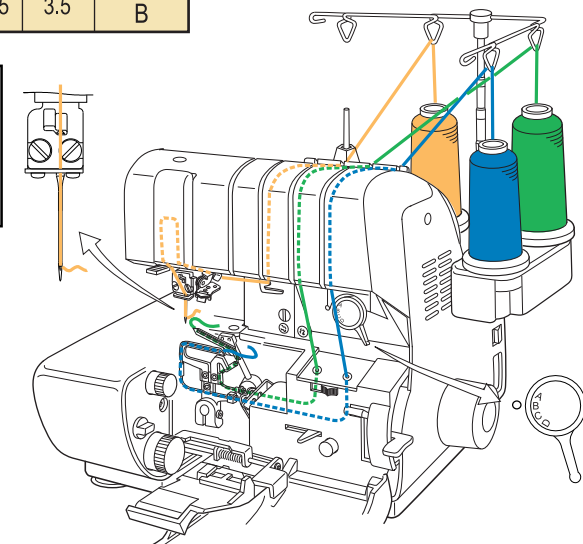
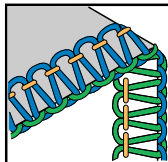
## 3-Thread Overlock-Wide

Needles	Length	Width	Stitch Selector
left	2-3	7.5	A



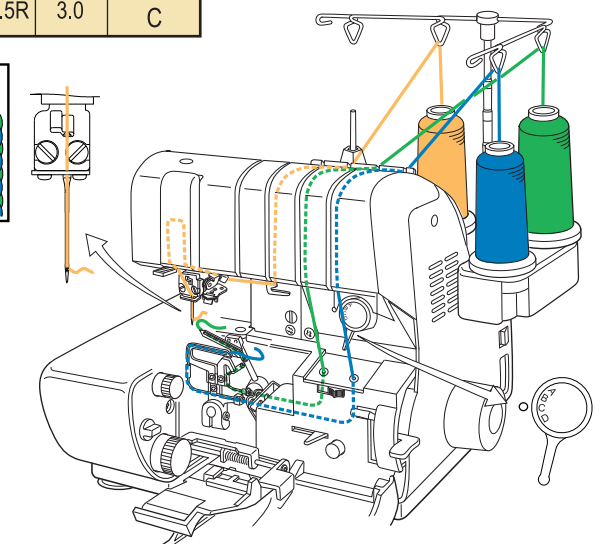
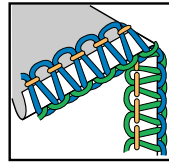
## 3-Thread Overlock-Narrow

Needles	Length	Width	Stitch Selector
right	2.5-3.5	3.5	B



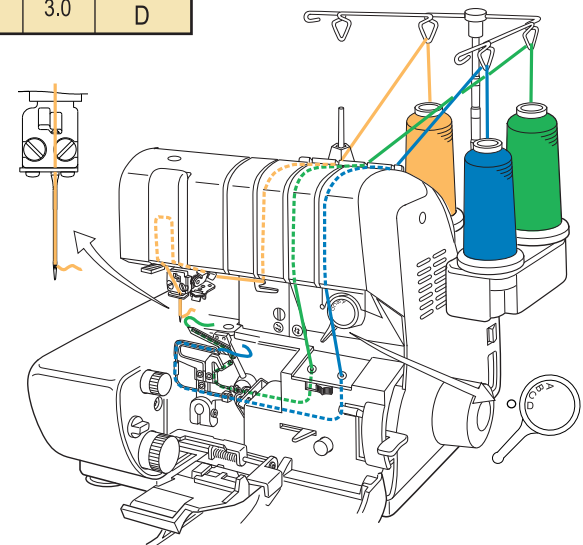
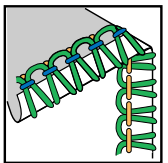
## 3-Thread Overlock-Narrow Hem

Needles	Length	Width	Stitch Selector
right	1.0-1.5R	3.0	C



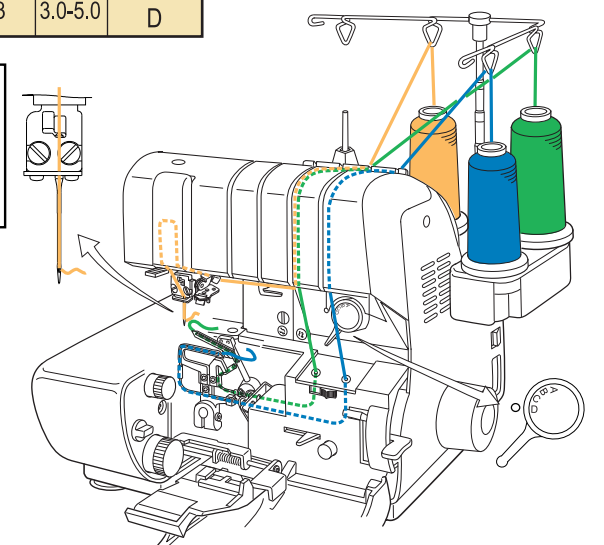
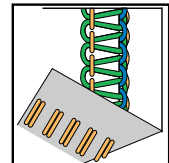
## 3-Thread Rolled Edge

Needles	Length	Width	Stitch Selector
right	1.5R	3.0	D



## 3-Thread Flatlock Seaming

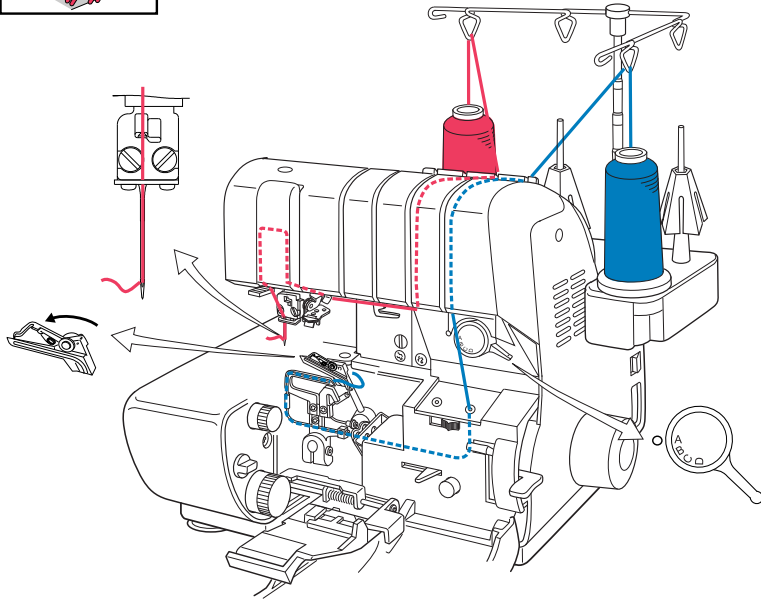
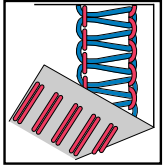
Needles	Length	Width	Stitch Selector
right	2-3	3.0-5.0	D



# **baby lock** Quick Reference Threading Guide *imagine*<sup>®</sup>

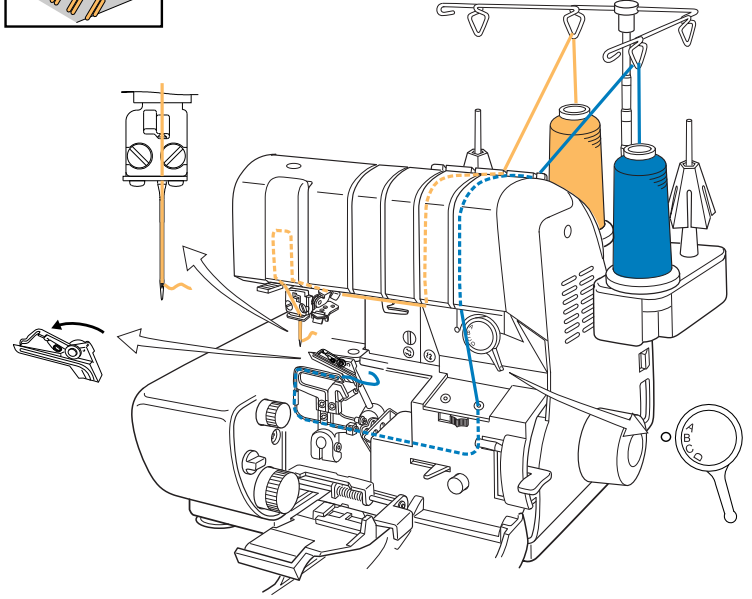
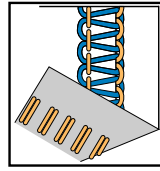
## 2-Thread Flatlock - Wide

Needles	Length	Width	Stitch Selector
left	2-2.5	7.5	A



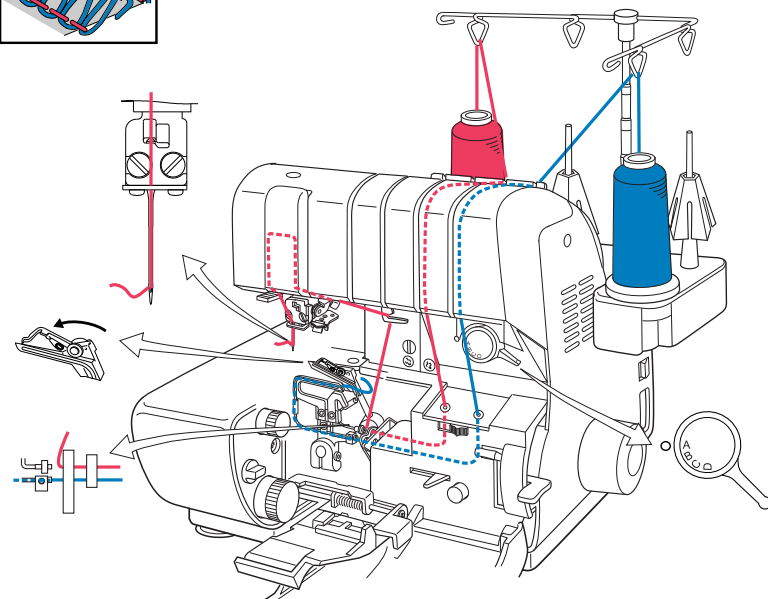
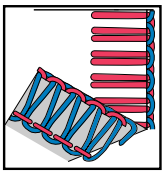
## 2-Thread Flatlock - Narrow

Needles	Length	Width	Stitch Selector
right	3-3.5	3.5	B



## 2-Thread Blanket Stitch

Needles	Length	Width	Stitch Selector
left	4	7.5	A



## 2-Thread Ladder Stitch

Needles	Length	Width	Stitch Selector
left	2-3	7.5	A

