

# BABY LOCK SERGER ACCESSORIES

## Quilt Guide

(BLES8-QG)

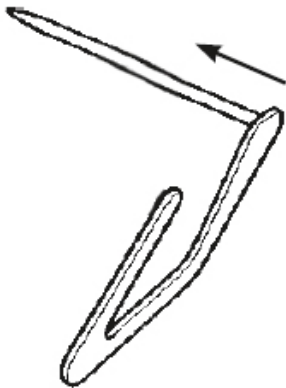
### Instructions

The quilt guide is great for aligning exact rows of parallel cover or chain-stitching that are equally spaced.



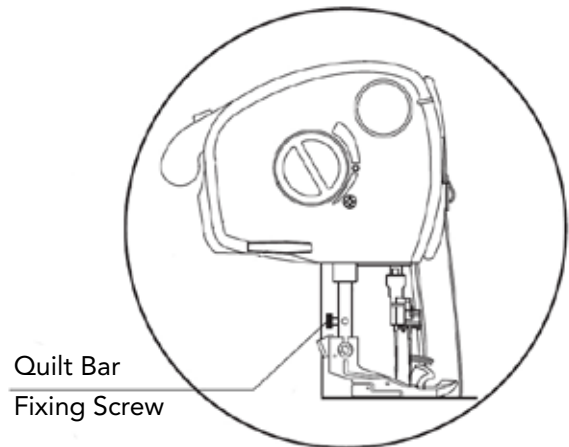
#### INSTRUCTIONS:

1. Insert the stem of the quilt bar into the hole at the rear of the presser foot bar.



2. Adjust the stem of the quilt bar so that the guide aligns with the seam that has already been sewn.

3. Tighten the quilt bar fixing screw.



4. Continue to serge so the guide follows the previous row of stitching.



FOR THE LOVE OF SEWING