

Sew at Home

OnDemand Classes

Education by Baby Lock & Designer's Gallery



Regalia
Quilting Machine

Give your quilting projects the royal treatment on the Regalia — Baby Lock's largest quilting machine yet! With 20" of workspace and a lightning-fast 2,500 stitches per minute, the Regalia is ready to easily finish quilts of any size. It features a built-in Stitch Regulator and Precision Stitch mode that ensure smooth, precise stitching for a harmonious finish.

20" Large 20" Workspace	2500 2500 Stitches Per Minute	LCD LCD Screen	Stitch Regulator	Needle Beam
--------------------------------------	---	-----------------------------	-----------------------------	------------------------

baby lock
FOR THE LOVE OF SEWING
www.BabyLock.com

About Your Kinetic Frame for the Regalia by Baby Lock

Your new Kinetic Frame can be a 5', 7', 10' or 12' quilting frame built of solid steel tubes.

1. The Kinetic Frame consists of two 5' sections found in the same box.
2. You can set up just one of the sections if you want as a 5' frame
3. It can be set up both sections for a 10' frame
4. There is also an optional 2' extension available from your Baby Lock Retailer
5. Add the 2' extension to the 10' frame if you want a 12' frame
6. Or add the 2' extension to a 5' section to create a 7' frame.

The legs of the Kinetic Frame are designed to allow you to adjust the height of the frame

1. The height of the Kinetic Frame can be adjusted so the top of the quilt is as low as 33 inches or as high as 44 inches.
2. The height of the frame should be set so that your forearms are level when you hold the handles at the front of the frame.

The Kinetic Frame is set up to make your quilting easy.

1. The tracks are designed for dual bearing wheels so the machine moves smoothly
2. The Idler Rail or you may have heard it also called a Dead Rail is designed so that you will not need to adjust the Take Up Rail height. It is always where it needs to be for your quilting space.
3. Snap in poles make it easy to insert or remove the rails
4. Included Pole Keepers lock the Quilt Top Rail into the frame to prevent the Quilt Top Rail falling out of the frame. The Pole Keepers come with the frame and are optional to use on the Kinetic Frame.

Ten notches showing	44-inch floor to quilt plane
Nine notches showing	43-inch floor to quilt plane
Eight notches showing	42-inch floor to quilt plane
Seven notches showing	41-inch floor to quilt plane
Six notches showing	40-inch floor to quilt plane
Five notches showing	39-inch floor to quilt plane
Four notches showing	38-inch floor to quilt plane
Three notches showing	37-inch floor to quilt plane
Two notches showing	36-inch floor to quilt plane
One notch showing	35-inch floor to quilt plane
In first notch up	34-inch floor to quilt plane
Bottom	33-inch floor to quilt plane



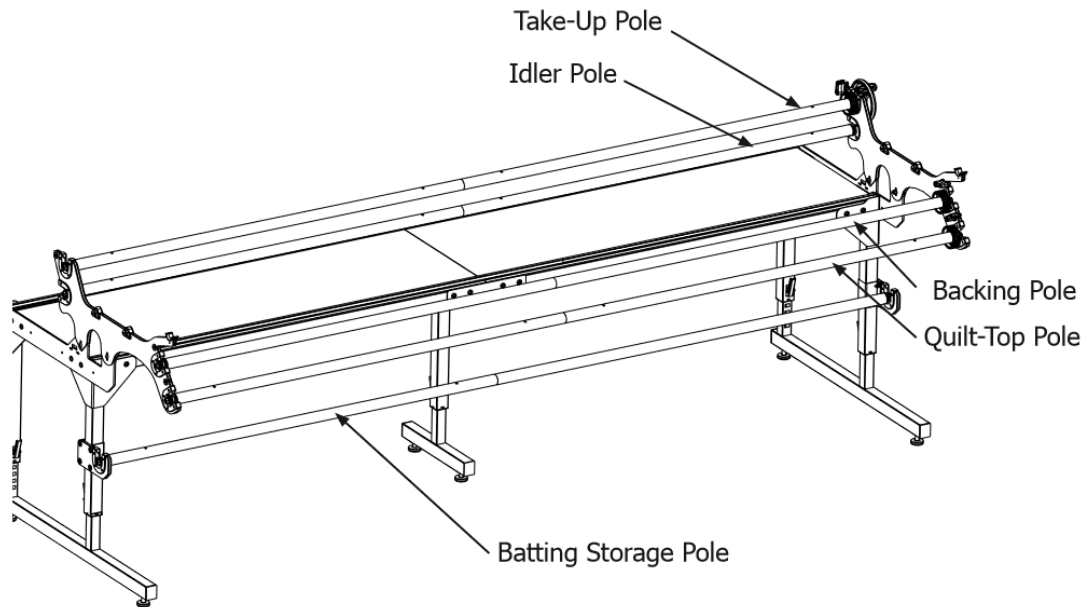
Anatomy of the Frame

Set up the rails

1. A little preparation the first time you use your quilting frame will save you time later
 - You will want to make sure that all of your rails are installed correctly and turning in the right direction
 - The large black gears should always be placed at the right end of the Kinetic Frame.
2. There are five rails on the Kinetic Frame and each rail is described below

Note: you may find it easier to get comfortable with your new quilt frame if you put name tags on the rails

1. Painters tape works well for this because if you decide to remove the labels later on, the tape leaves no sticky residue.
2. Simply write the name of the rail on a piece of tape and put it at one end of the rail.



Note:

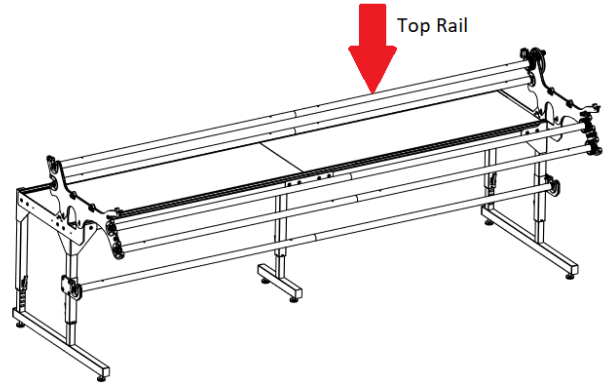
WHEN THE RAIL IS LOCKED THEY WILL ONLY ROLL THE CORRECT DIRECTION. ALL OF THE RAILS TURN TOWARD THE FRONT OF THE FRAME.

1. It is noisy if you turn the rails with that ratchet engaged but you will know that you are turning in the right direction.

2. If the noise bothers you when you are rolling the quilt onto the rails, you could engage the ratchet, turn the rail a couple of turns to get it started in the correct direction and then disengage the ratchet.

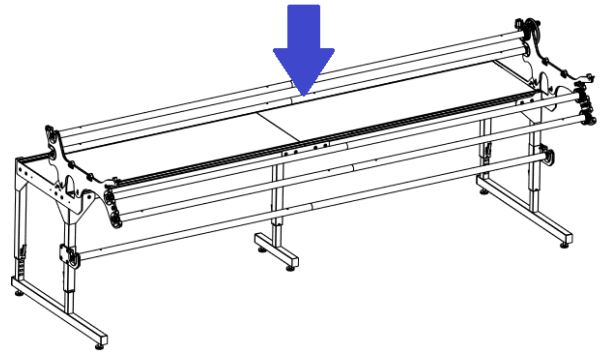
Take-up Rail Shown with Red Arrow:

1. The rail that passes through the throat of the Regalia is the take up rail
 - As you work, the portion of the quilt that has already been quilted will be rolled onto this rail
 - The Take-Up Rail “takes up” the part of the quilt that has already been quilted.
2. The Take-Up Rail turns toward the front of the frame
 - The hand wheel at the right end can be used to turn this rail as the quilt is rolled forward.
 - Or you can simply turn the rail itself



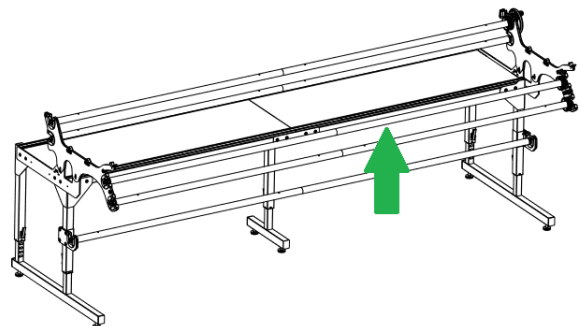
The Idler Rail Shown with the Blue Arrow:

1. The Idler Rail is located right under the Take-Up Rail. This rail never moves up, or down and does not lock
2. It also works as a tension rail on the quilt as it is being rolled.



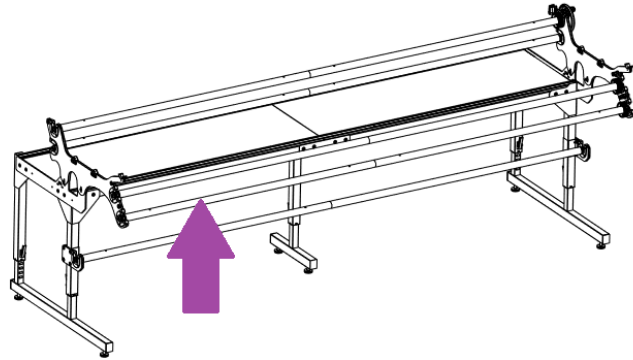
The Backing Rail Shown with Green Arrow:

The Top Rail on the front of the quilt frame is the Backing Rail and the back of your quilt is rolled on this rail.



The Quilt Top Rail Show with Purple Arrow:

1. The Quilt Top Rail is below the Backing Rail on the front of the quilt frame
 - The quilt top will be rolled onto this rail
2. The Quilt Top Rail rotates toward the front of the frame



The Batting Rail:

1. Is the lowest rail on the Kinetic Frame. The batting Rail is below and slightly behind the other two rails on the front of the frame
 - The Batting Rail does not have ratchets and turns freely in both directions

Attach the Velcro and Leaders to the Rails

It is helpful to mark the center of each rail and each leader. Sewing a red line on the leaders helps to see where center is.

1. Painters Tape from the hardware store is an easy way to mark the rails.
 - Measure to find the center of each rail
 - Place piece of tape with a line at the center of the rail.
 - If it makes it easier for you to remember which way the rails fit into the frame, then you could also label left and right on the tape.



Cloth Leaders:

1. You will want to invest in cloth leaders for your quilt frame
2. Cloth leaders have markings that make it easy to get the quilt back and quilt top centered and straight on the frame.
3. There are several different leader packages available from your Baby Lock dealer

Baby Lock Leader Cloths (BLQL)

Save time securing your fabric to the frame with Baby Lock Leader Cloths. Made specifically with ease and convenience in mind, these leader cloths are large enough for projects of any size. Includes: Three hemmed King-Size (112") printed leader cloths.

- Baby Lock Quilt Leaders
 - 112" length - part #BLQL
- Start-Right Cloth Leaders are available in two sizes
 - 10' length - part #GFCL
 - 12' length - part# GFCL-12

To attach the leaders with Velcro

1. The hook side of the Velcro will be put on the Take-Up Rail, the backing rail, and the Quilt Top Rail.
 - There is no leader for the Batting Rail, so you will not need Velcro for that fourth rail
2. Cut the Velcro to the length needed for each rail
3. Place the hook side of the Velcro on the rails
 - The hook side is the stiff hard feeling side of the Velcro
4. Trim the Velcro so it does not interfere with gears on the end of the rail or the ratchet
5. The easiest way to attach the Velcro is to peel back about six inches of the paper and press the sticky Velcro into place.
6. Then peel back the next six inches of paper and press.
7. If you remove the paper from the entire length of the sticky Velcro, you will end up with a big knot of Velcro stuck to itself instead of the rails!

Prepare the leaders

1. If you are using a frame set up smaller than the width of the leaders, cut the leaders to match the width of the rails on your frame
 - You could use your Baby Lock serger to finish that cut edge.
2. The Velcro loops are attached along the top edge of each leader on the wrong side.
 - The Velcro loops are the strip that is soft and fuzzy
3. Fold each leader in half and mark the center at both the top edge and at the hem
 - You will need to mark the top edge so you can match it to the center mark on the rail
 - You will also need to mark the hem so you can match the center of the quilt to the center of the leader.
4. If you have marked the center of the rail, and marked the center of each leader, then it will be easy to get all of your leaders centered on the rails!

Note If you are using the Start Right Leaders from Grace:

The shortest leader should be attached to the Take-Up Rail if you are using the Start Right cloth leaders. Each leader is labeled for which rail it will be attached to.

1. Match the center of the leader to the center of the rail
2. The right side of the leader faces the back of the frame
3. The Baby Lock leaders are all the same length, so it will not matter which of the three leaders is attached to the Take-Up Rail.

The medium leader should be attached to the Backing Rail if you are using the Start Right cloth leaders

1. Match the center of the leader to the center of the rail
2. The right side of the leader faces the back of the frame
3. The Baby Lock leaders are all the same length, so it will not matter which of the three leaders is attached to the Take-Up Rail.

The longest leader should be attached to the Quilt-Top Rail if you are using the Start Right cloth leaders

1. Match the center of the leader to the center of the rail
2. The right side of the leader faces the back of the frame
3. The Baby Lock leaders are all the same length, so it will not matter which of the three leaders is attached to the Take-Up Rail.

Note: All leaders face the back of the frame and there is no leader for the Batting Rail.

Load the Quilt onto the Frame

Begin by making sure the back and the batting are large enough

1. The quilt back should be at least 4" to 6" larger than the quilt top on all 4 sides
2. The batting should be at least 2" to 3" larger than the quilt top on all 4 sides.

To load the quilt back on the frame:

The back of your quilt and the batting will need to be cut larger than the quilt top.

1. Always make the quilt back 4" to 6" wider than your quilt top
2. The back of the quilt should also be at least 6" longer than the quilt top
3. The batting should be the same size as the backing

To attach the quilt back to the Take-Up Rail:

1. Unlatch the Take-Up Rail so it turns freely and unroll the Take-Up leader
2. Unlatch the Quilt Back Rail so it turns freely
3. Bring the quilt back across the frame so it reaches the Take-Up leader
4. Pin the quilt back to the Take-Up leader
 - Match the centers
 - Use the guide line on the leader to keep the back straight
 - The wrong side of the quilt back faces up
5. Re-engage the latches on both the Take-Up Rail and the Backing Rail
 - Turn the rails so the quilt back is stretched firmly across the top of the quilt frame and no longer sags loosely.

Attach the quilt back to the leader on the Backing Rail

1. Lay quilt back over the top of the frame with the wrong side up
2. Mark the center of the back with a pin
3. Unroll the leader on the Backing Rail
4. Pin the quilt back to the leader

5. Roll the back onto the Backing Rail
 - Do not pull and tug on the back as you are rolling it
 - Smooth it if needed to roll it evenly.
 - Just run your hand over it the way you would smooth the sheets when making the bed.

To load the quilt batting on the frame:

Roll the batting onto the Batting Rail **

1. Batting Rail has no leader, so the batting is attached directly to the rail
2. An easy way to attach the batting to the rail is to use painters tape.
 - A mark on the tape can be used to center the batting on the rail
3. Spread the batting on the floor
4. Roll the batting onto the Batting Rail

To place the batting over the quilt back:

Bring the batting up to lay on top of the quilt back

1. Bring the batting to the front of the frame between the Backing and Quilt Top Rail
 - This makes sense since the batting belongs between the quilt top and the quilt back!
2. Bring the batting up over the quilt back on top of the frame.
3. The leading edge of the batting should be just below the pins in the quilt back.
4. Use channel lock to stitch a straight line across the top of the batting.
5. This line of stitching will serve two purposes
 - The batting will be anchored to the quilt back
 - You will have a nice straight line to position the quilt top.

****Stitch the Batting to the Quilt Back**

To set up to channel lock:

1. Position the Regalia so the needle is at the left end of the line to be sewn
2. Place the optional Channel Lock over the wheel of the machine as shown in the picture at the right.
 - Channel Lock – part #BLJ18-CL
3. The Channel Lock prevents the wheel from rolling forward or back, so the machine will now only move from left to right.
4. And you will be able to sew a perfect straight line across the top of the batting.



Channel Lock (BLJ18-CL)

The Channel Lock attaches onto the front wheel of the Regalia to enable the machine to make continuous straight horizontal lines across your quilt.

- When using the channel lock shown at the right, use a gentle touch as you move the Regalia.
 - If you pull hard, you can defeat the channel lock and sew a crooked line.

Pro-Stitcher Channel Lock:

If you have the Pro-Stitcher, you can use the channel locking in the Pro-Stitcher to sew your straight line. You will find the channel locking on the main screen of the Regalia or the main screen of the Pro-Stitcher Premium.



- Touch Channel Lock
- Touch Horizontal Channel Lock

Pull up the bobbin thread before you begin to sew

- Hold the needle thread
- Use the Needle Up/Down button on the left handlebar to take the needle down and then back up to bring a loop of bobbin thread to the top of

the batting.

- Hold the needle thread taut between both hands and swipe the needle thread under the foot so the bobbin thread is pulled out from under the foot
- Hold both threads as you begin to sew, so you will not get a bird's nest of thread on the back of the quilt.

Pull Up & Trim Bobbin Thread at the end of the line of stitching

- Remove the channel lock so you can move the machine in any direction
 - Or turn the Pro-Stitcher channel lock off by touching button
- Move the machine about six inches away from the end of the stitching line. A loose thread is dragged across the fabric.
- Move the machine back to the end of the stitching line
- Hold the loose thread and use the Needle Up/Down button to pull the bobbin thread up through the fabric and batting.
- Move the machine to one side and trim both the top and bobbin threads.



Bring Quilt Top over the Batting and the Back

Bring the quilt top up to lay on top of the batting

1. Release the latch on the Quilt Top Rail
2. Bring the quilt top over the top of the quilt frame
 - The quilt top is right side up
3. Line up the leading edge of the quilt top with your channel lock stitching
4. You may want to place a few pins along the top of the quilt top to keep it from shifting until you get it anchored.
5. Latch the Quilt Top Rail
6. Turn the Quilt Top Rail rail so the quilt top lays smooth and firm

Bungie Clamps

1. Attach the clamps at each side of the quilt
 - The clamps should be attached to the quilt back.
 - The clamps are not attached to the quilt top because that could distort the top
2. Pull the bungee cord taut
3. Then pull down to settle the cord into the narrow part of the opening in the frame.

Secure Edges of Quilt Top

1. Before you begin quilting you should secure the edges of the quilt top
2. Stich across the top of the quilt very close to the top edge of the quilt top.
 - This stitching should be close enough to the edge of the quilt so it will be covered by the binding
3. If you use a running stitch and work slowly and carefully, you will be able to watch that your needle is going to hop over the pins and not hit them
 - If it looks like the needle might hit the pin, remove it before you stitch over it!
4. After the top edge is secure, make sure that all of the pins anchoring the quilt top to the batting have been removed.
5. Stich down the sides of the quilt very close to the edge of the quilt top
 - This stitching should be close enough to the edge of the quilt so it will be covered by the binding.
 - When the quilt is rolled forward onto the Take-Up Rail, you will stitch the new section of the quilt along the sides.

The Quilting Process

The quilt will be quilted in sections

1. At any given time, most of the quilt will be rolled up on the rails of the quilt frame

- At the beginning, most of the fabric and batting is on the rail at the front of the frame
 - As you work and advance the quilt, the quilted fabric is rolled onto the Take-Up Rail.
 - At the end of a quilt, most of the fabric is rolled onto the Take-Up Rail
2. Only the part of the quilt that can be reached by the needle of the can be stitched

Quilting:

1. Stitch the right and left edges of the quilt top
 - This simple step will prevent catching the hopper foot under the quilt top as you work
2. Stitch the quilting designs needed to fill that part of the quilt
3. Then roll the quilt forward to the next unquilted portion of the quilt top

To advance the quilt:

1. Remove clamps at sides of quilt
2. Lift the ratchet stop out of the gear teeth on the Take-Up Rail, the Quilt Back rail, and the Quilt Top Rail
 - This will allow all three rails to turn freely
3. Turn the Take-Up Rail to wind the completed section of quilt onto the Take-up Rail
4. The Take-up rail turns toward the front of the frame
5. Turn the rail by using the wheel at the right end of the Kinetic Frame
6. Set the ratchet stop back down into the gear teeth on the Take-up rail
7. Place the ratchet stop back into the gear teeth on the Quilt Back rail
8. Turn the Quilt Back rail so the back of the quilt is flat and straight
9. Check the batting to make sure it is rolling straight and smooth into the quilt sandwich
10. Place the ratchet stop back down in the teeth of the gear on the Quilt Top Rail
11. Turn the Quilt Top Rail so the quilt top is flat and straight

And now you are ready to quilt the next section

1. Stitch the sides down
2. Quilt the next area

Frame Maintenance

The Kinetic Frame does not require a lot of maintenance, but it is important to keep it clean.

1. Lint can build up on the tracks and on the carriage wheels.
2. If you are having issues with your stitch regulation, it could be as simple as lint on the wheels or the tracks.
3. Dust the quilt table regularly

4. Do not throw thread trimmings on the quilting table where they could get caught up in the wheels
5. Wipe down the tracks regularly to keep them clean
 - Don't forget the tracks on the carriage
6. Clean the wheels by holding a scrap of batting or fabric against the wheel as you slowly roll the carriage
 - You will be surprised at how much "stuff" will come off those wheels

