

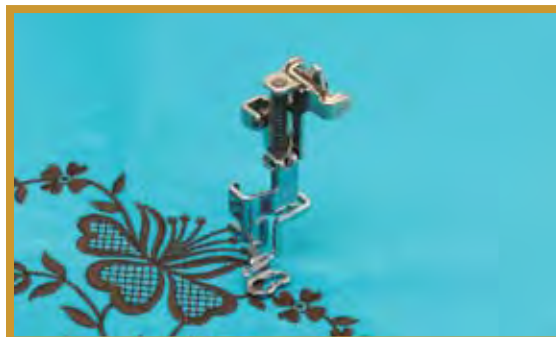
BABY LOCK

SEWING ACCESSORIES

Embroidery Foot


(BLG-EF)

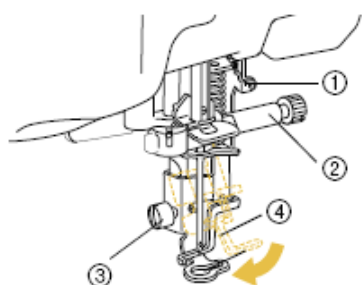
Instructions



This replacement foot was created for computerized embroidery machines. The built-in wiper will pull back the tail of your thread – perfect for detail embroidery. If you have misplaced the foot included with your Ellisimo (BLSO), Ellegante2 (BLG2) or Ellegante (BLG), don't worry this is the foot you need!

INSTRUCTIONS:

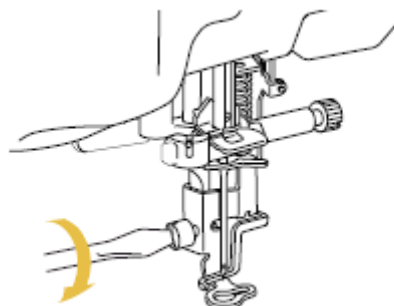
1. Press the "Needle Position" button to raise the needle.
2. Press the  key. The entire screen becomes white, and all keys and operation buttons are locked.
3. Raise the presser foot lever.
4. Push the black button on the back of the presser foot holder and remove the presser foot.
5. Use the included screwdriver to loosen the screw of the presser foot holder, and then remove the presser foot holder.
6. Lower the presser foot lever.
7. Position the Embroidery Foot on the presser foot bar so the arm of the Embroidery Foot is behind the needle holder and the wiper is behind the needle.




- ① Arm
- ② Needle holder
- ③ Presser foot holder screw
- ④ Wiper

Note: Be sure to use Embroidery Foot "W" when doing embroidery. Using another presser foot may cause the needle to strike the presser foot, causing the needle to bend or break and possibly cause injury.

8. Hold the embroidery foot in place with your right hand, and then use the included screwdriver to securely tighten the presser foot holder screw.



9. Press the  key to unlock all keys and buttons. All keys and operation buttons are now unlocked and the previous screen is displayed.

Note: Be sure to turn off the power before installing the embroidery unit. Otherwise, the machine may be damaged.



FOR THE LOVE OF SEWING