

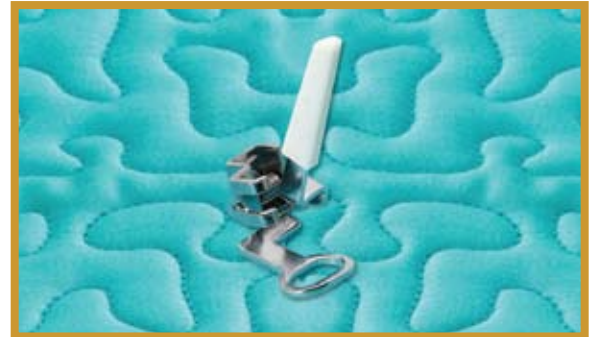
# BABY LOCK SEWING ACCESSORIES

## Darning Foot

(BLQ2-DF)

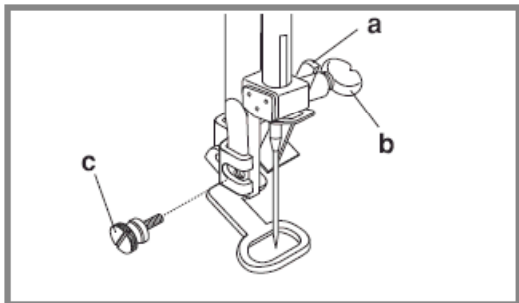
### Instructions

This convenient foot with a guide offers excellent visibility and control. Keep fabric flat and under control while darning. This foot is great to use while performing stippling, meandering and thread-painting techniques simply and precisely.

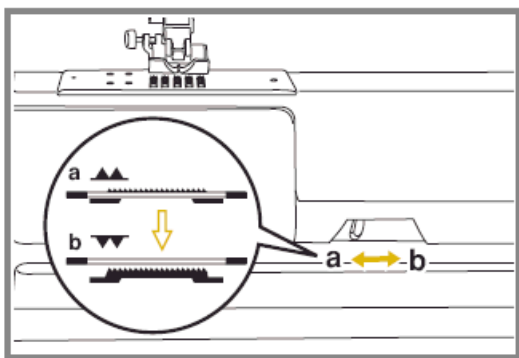


#### INSTRUCTIONS:

1. Remove the presser foot holder, and attach the darning foot to the presser foot holder bar. The lever (a) should be behind the needle clamp screw (b). Press the darning foot on firmly from behind with your index finger and tighten the screw (c).

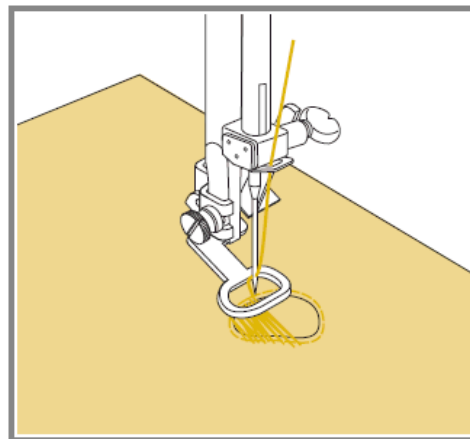


2. Move the drop feed lever to "▼" to lower the feed dogs.



#### Darning

3. Place a piece of stabilizer under the fabric to be mended.

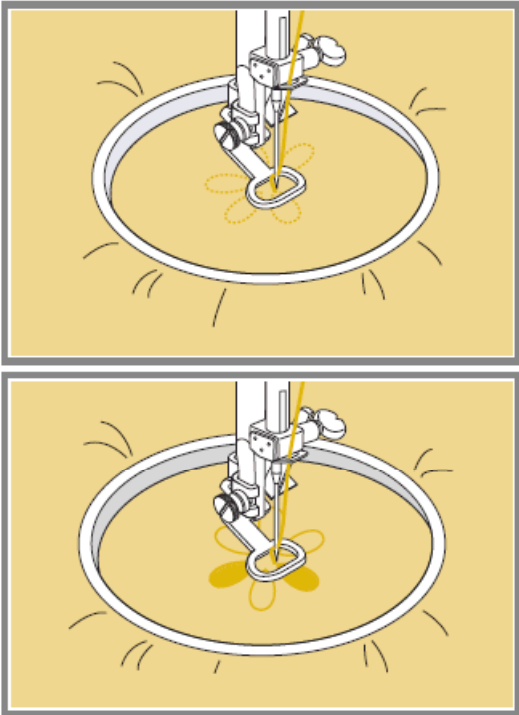


4. First sew around the edges of the hole (to secure the threads). Working from front to back, sew over the hole in a constant and continuous movement. Turn the fabric 1/4 turn and sew over the first stitching moving the work slower over the hole to separate the threads and not form big gaps between the threads.



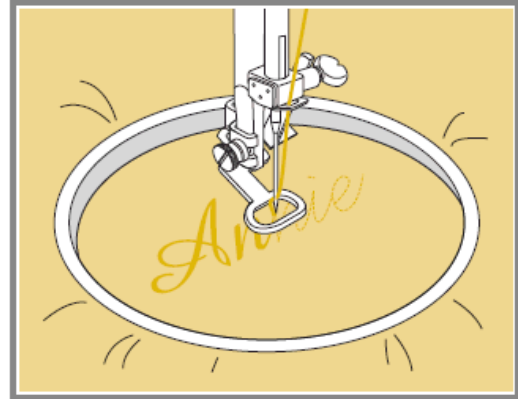
**FOR THE LOVE OF SEWING**

- NOTE:** Free-Motion darning is accomplished with the feed dogs in the lowered position. Movement of the fabric is controlled by the operator; therefore it is necessary to coordinate sewing speed and the movement of fabric.



- You will get longer stitches by moving the hoop faster and shorter stitches by moving the hoop more slowly.
- Secure with reinforcement stitches at the end by pressing the auto-lock button.

### Free-Motion Monogramming



### Free-Motion Embroidery

- Mark the design to be embroidered on the fabric with a wash-out marker. Place fabric and stabilizer in an embroidery hoop. Raise the needle to highest position and slide the hoop under the needle. Lower the presser foot lever.
- Hold the needle thread in the left hand; turn the handwheel toward you to bring the bobbin thread above the fabric surface.
- While holding both threads firmly, take three to five straight stitches in one spot.
- Select zigzag stitch pattern and adjust the stitch width as desired. Stitch along the outline of the design by moving the embroidery hoop. Make sure to maintain a constant speed.
- Fill in the design working from the outline toward the inside. Keep the stitches close together.

- Mark the letter or letters to be monogrammed on the fabric with wash-out marker. Place fabric and stabilizer in an embroidery hoop. Raise the needle to its highest position and slide the hoop under the needle. Lower the presser foot lever.
- Hold the needle thread in the left hand; turn the handwheel toward you to bring the bobbin thread above the fabric surface. While holding both threads firmly, take three to five straight stitches in one spot.
- Select zigzag stitch pattern and adjust the stitch width as desired. Sew at a consistent speed along the lettering.
- Moving the hoop faster will produce a looser stitched monogram; however moving the hoop slower will result in a denser looking monogram.
- Secure with reinforcement stitches at the end by pressing the auto-lock button.



**FOR THE LOVE OF SEWING**

800-422-2952

[www.babylock.com](http://www.babylock.com)