

BABY LOCK SEWING ACCESSORIES

Monogramming Foot

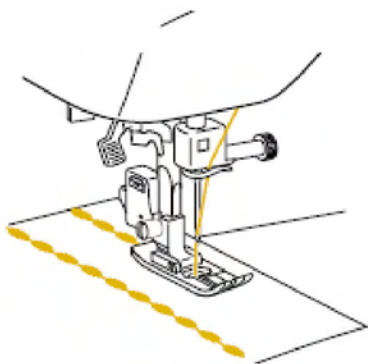
(BL37-MF)

Instructions

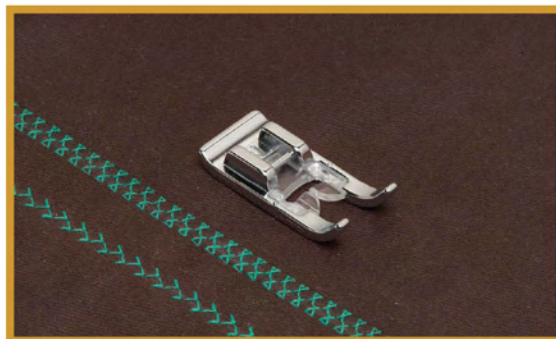
Make your mark with this foot and your machine. The wide open toe provides great visibility and a larger range of motion for your needle, making appliqué, wide decorative stitches and free-motion monograms easy to achieve.

INSTRUCTIONS:

1. Raise the needle to its highest position and lift the presser foot lever before changing the stitch selection, stitch length or stitch width.
2. Select the desired decorative stitch pattern.
3. Attach the Monogramming Foot.
4. Place the fabric under the presser foot, pull the upper thread out to the side and then lower the presser foot.



5. Start sewing.



Note: When sewing satin stitch patterns, if the stitches bunch, lengthen the stitch length. If you continue sewing when the stitches are bunched, the needle may bend or break. If the fabric is pulled or pushed during sewing, the pattern may not turn out correctly. Also, depending on the pattern, there may be movement to the left and right as well as front and back. Guide the fabric with your hand to keep the fabric feeding straight and even during sewing.

6. Stop sewing and press the reverse sewing lever or button for a reinforcement stitch. Reverse sewing is used for locking the end of seams and where reinforcement is needed.



FOR THE LOVE OF SEWING