

BABY LOCK SERGER ACCESSORIES

Fabric Guide

(BLE8-FG)

Instructions

Only for use with
cover stitching or chain stitching.



If a precise seam is what you desire, attach the adjustable fabric guide to the table of your serger. The guide helps you align your fabric for perfect chains and coverstitching every time. This guide is exclusively for the Evolution, Evolve and Coverstitch machines.

MACHINE SETTINGS

Stitch type:	Chain Stitch or Cover Stitch
Needle:	C1, C2, C3
Upper knife:	Disengaged "LOCKED"
Stitch width:	M
Stitch length:	1-4
Sewing table:	On

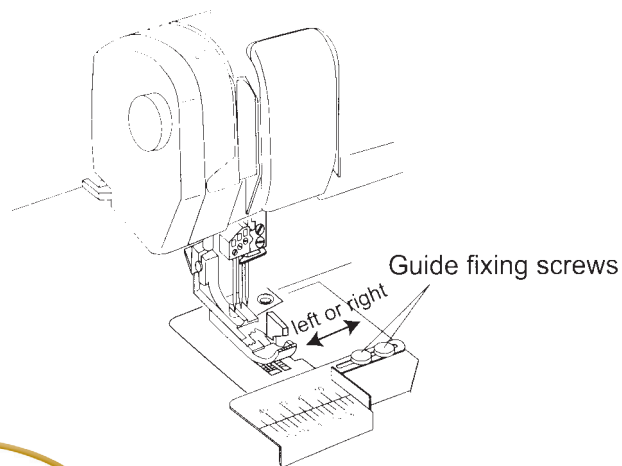
TO ATTACH TO MACHINE:

1. Thread the machine.
2. Turn the cutting blade to the "LOCKED" position.
3. Disengage the upper looper to the "DOWN" position.
4. Remove the blade cover and attach sewing table.
5. Attach the fabric guide using one or two screws into the threaded holes in the sewing table.

NOTE: When using BLCS-2 or BLCS the accessory adaptor BLCS-AA is needed.

TO ALIGN USE:

1. The raised markings on the toe of the foot indicate the needle positions to help guide your fabric for accurate stitching.
2. The numbers on the fabric guide to the left or right indicate the distance from the needle to the edge of the fabric.
3. Move the fabric guide to the left or right so that the distance from the needle to the raised edge of the fabric guide is the allowance you want to sew (the measurement on the fabric guide should align with the mark on the toe of the foot for the needle you are using).
4. Secure the fabric guide to the sewing table, with the machine's guide fixing screws.
5. Guide the edge of your fabric against the raised edge of the fabric guide.



FOR THE LOVE OF SEWING