

BABY LOCK SEWING ACCESSORIES

Bi-Level Spring Action Guide Foot 2mm

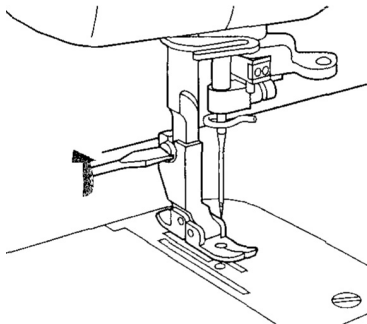
(BLQP-SA2)

Instructions

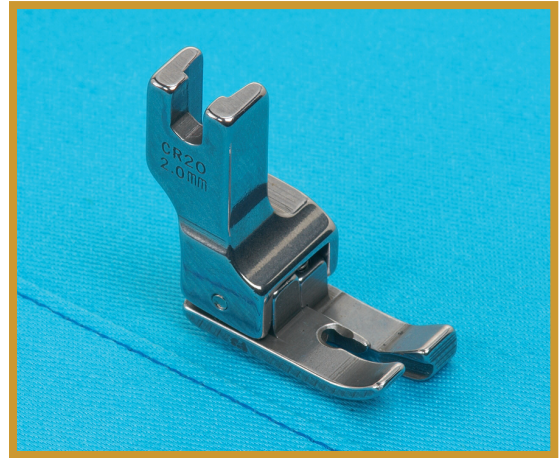
This foot is used for uniform and precise 2mm topstitching. These feet are called bi-level spring action because the edge guide is spring loaded to compensate for different thicknesses of fabric or topstitching over a seam allowance. It can be used wherever precise topstitching is desired.

INSTRUCTIONS:

1. Raise the presser foot and raise the needle to the highest position.
2. Loosen and remove screw using the screwdriver included with your machine.



3. Attach the 2mm Bi-level Spring Action Guide foot and tighten the screw.



4. Select a Straight Stitch.
5. Align the edge of the foot guide with the fabric edge and start sewing for perfect 2mm stitching.



FOR THE LOVE OF SEWING