

# BABY LOCK SEWING ACCESSORIES

## Button Sewing Foot

(BL-BS)

### Instructions

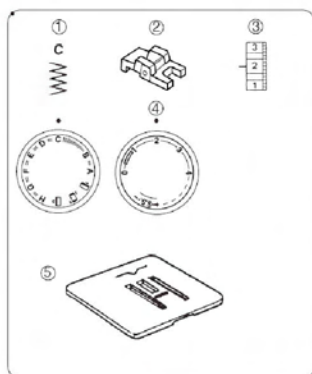
Attach 2 or 4-hole buttons to garments and other projects with your machine. This convenient foot holds buttons in place, allowing your machine to attach buttons to fabric with a sturdy zig zag stitch. This foot is perfect for buttons that can lay flat without much thread shank.



#### INSTRUCTIONS:

1. Adjust the stitch width or set the Pattern Selector at "C" depending on your machine model. Select the zig zag width to match the holes in the button.
2. Lower the feed dogs or position the darning plate onto the needle plate.
3. Mark the button placements on the fabric.
4. Place fabric under the button sewing foot.
5. Place the button under the button sewing foot aligning the left hole with the needle point.

#### Machine Settings:

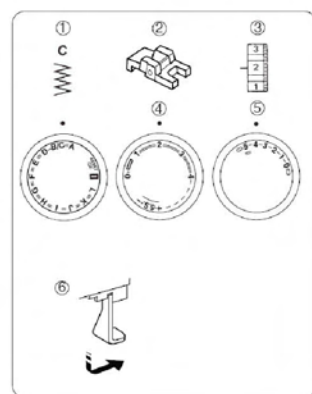


##### Sewing Buttons

- ① Pattern selector: C
- ② Presser foot: Button sewing foot
- ③ Thread tension: 1 - 3
- ④ Stitch length: Any
- ⑤ Darning plate

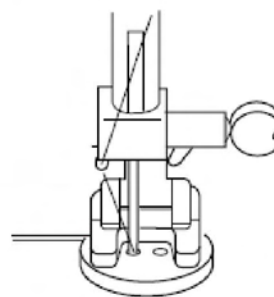
\* Stitch length dial any number (not necessary to adjust)

Use the darning plate for button sewing (see Page 36).



##### Sewing Buttons

- ① Pattern selector: C
- ② Presser foot: Button sewing foot
- ③ Thread tension: 1 - 3
- ④ Stitch length: Any
- ⑤ Stitch width: Adjust as necessary
- ⑥ Feed dog position: Down

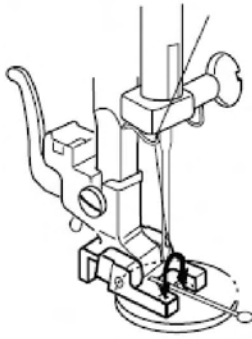


6. Lower the foot to hold the button in place.
7. Turn the hand wheel to check if the needle enters into each hole in the button. The holes in the button should align with the slot of the foot.
8. Sew a few stitches to lock the threads.



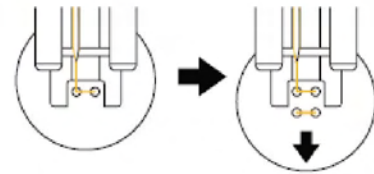
**FOR THE LOVE OF SEWING**

9. A straight pin can be placed on the button in between the holes (see illustration). When sewing over the button and straight pin, a shank will be created.



### Attaching 4-Hole Buttons

Sew the two holes closest to you. Then raise the presser foot and move the fabric so that the needle goes into the next two holes, and sew them in the same way.



10. Sew about 10 stitches and cut the needle and bobbin threads, leaving 20 cm (8") tail.
11. Bring the needle thread between the button and fabric through the holes on the button.
12. Pull the needle thread to pick bobbin thread up to the right side of the fabric.
13. Wind the thread to form a shank. Draw the thread to the wrong side and knot.



14. Raise the feed dogs or remove the darning plate after sewing.



**FOR THE LOVE OF SEWING**

800-422-2952

[www.babylock.com](http://www.babylock.com)