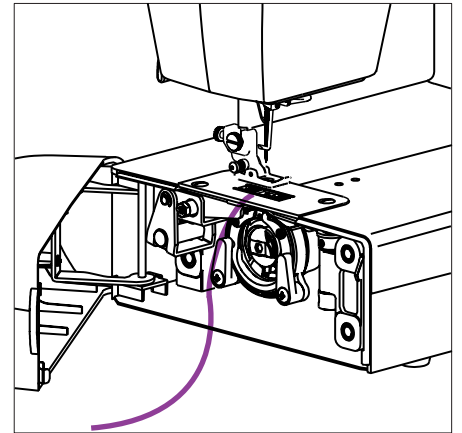
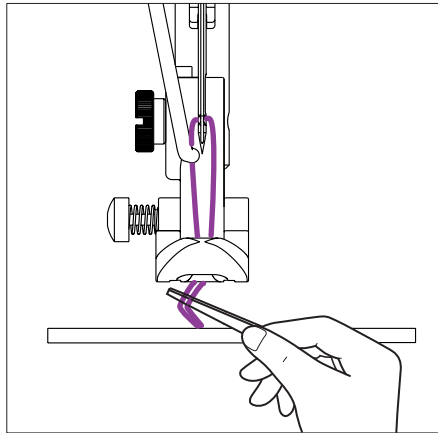
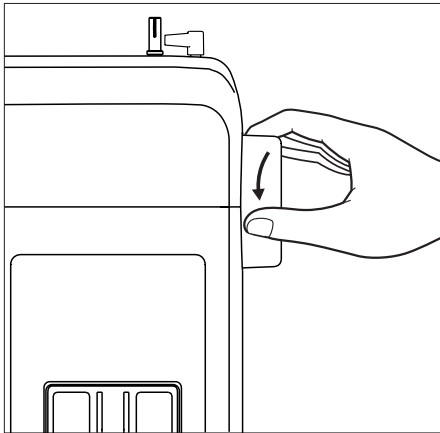
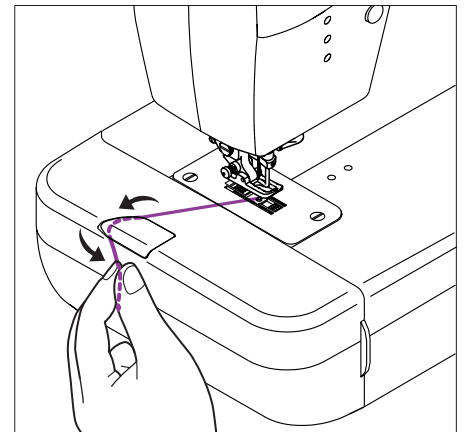
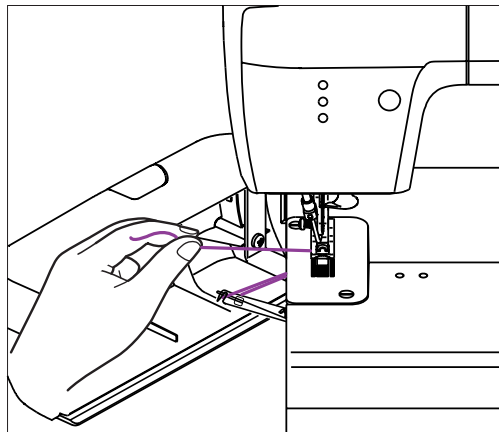


Pulling Up Bobbin Thread



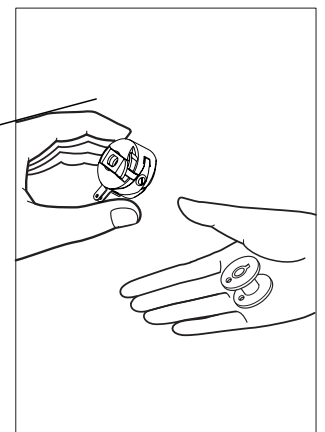
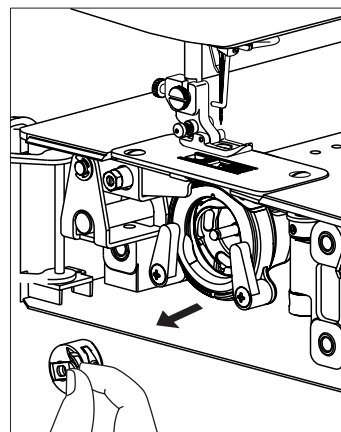
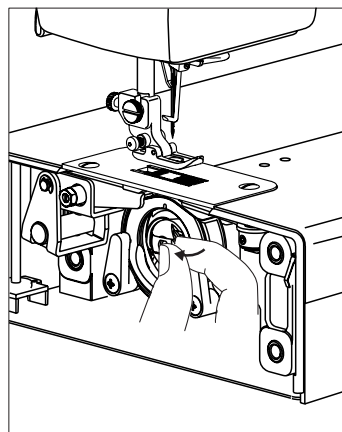
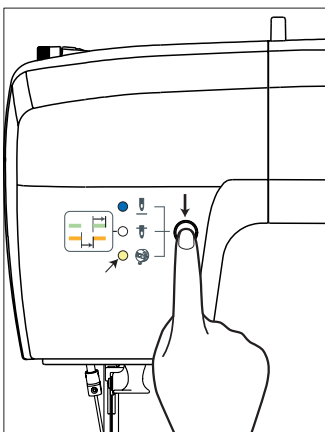
Note:

Grasp and hold the thread tautly with left hand, turn handwheel towards you until the lower thread take-up lever catches the thread.

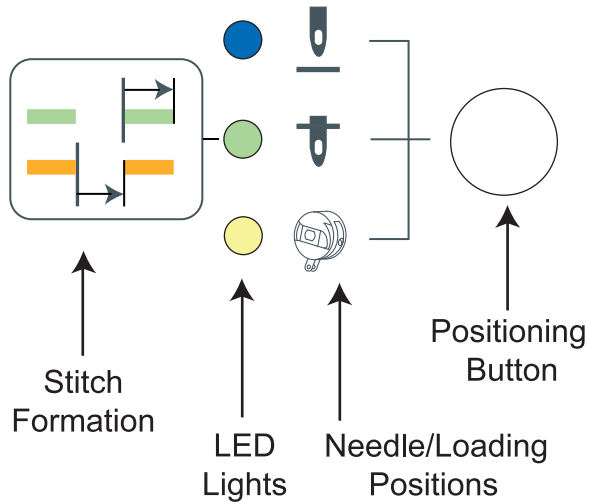


Removing the Bobbin

Important Reminder: Before removing bobbin case, place needle in up position, remove fabric, and cut thread.



LED Lights



Needle stops in the UP position. A space and stitch will be formed when the foot control is pressed (Blue LED is on).

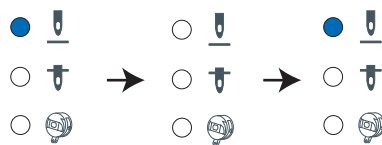
Needle stops in the DOWN position and the next stitch will be an actual stitch (Green LED is on).

Needle stops in the DOWN position and the next stitch will be a stitch space (Orange LED is on).

Loading position (press and hold the positioning button for approximately 2 seconds, Yellow LED is on).

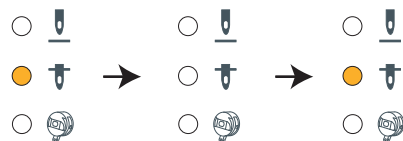
1. Insert or remove the bobbin case
2. Replace latch wire
3. Replace needle

Bobbin winder is engaged (All LED lights are off)



Bobbin winding completed (Blue LED flashes on and off)

Warning



Orange LED light flashes on and off

1. Safety System is activated:

Side cover is open

Presser foot is raised

Latch wire is engaged in the release position

Foot control is pressed and presser foot is down when power is turned "ON"

2. Needle is in the down position and the presser foot is in the raised position.

3. Motor overload. When this occurs machine has to be turned off then turned back on before using.

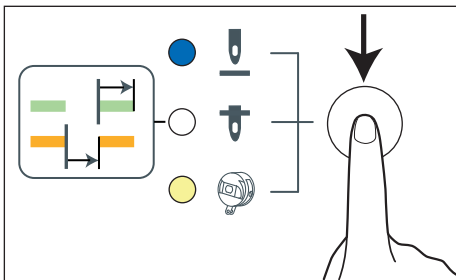
Important Notice

1. The Baby Lock Sashiko stitching will not unravel, so it is not necessary to make tacking stitch.
2. Always stitch with fabric under the presser foot when machine is threaded.
3. Do not stitch over previous stitching or stitch down the same row of stitching.
4. Avoid stitching over pins.
5. Before removing bobbin case, changing needle, or replacing latch wire, place needle in up position, remove fabric, and cut thread.

Loading Position

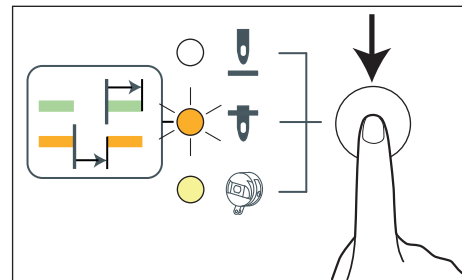
Blue and Yellow LED is lit when:

- Needle in Up Position
- Side cover is closed
- Presser foot is down
- Latch wire not engaged in release position



Yellow LED is lit with flashing Orange LED when:

- Presser Foot in UP Position
- Side cover is open
- Latch wire engaged in release position



Inserting the Bobbin

