

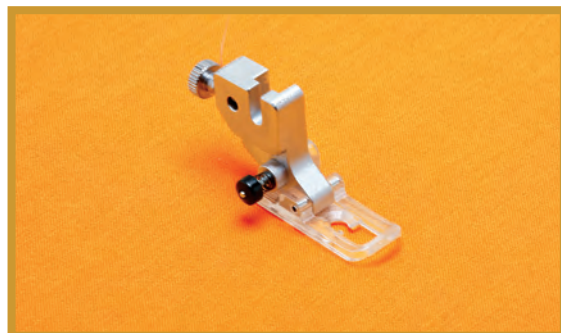
BABY LOCK SASHIKO ACCESSORIES

General Purpose Foot

(BLQK-GP)

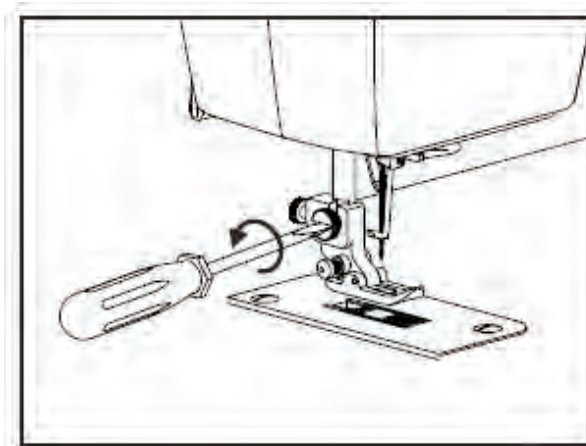
Instructions

This foot is perfect for all of your machine's standard functions and a must-have if your original foot is misplaced.



INSTRUCTIONS:

1. Raise presser foot and raise the needle to the highest position.
2. Loosen and remove screw using the screwdriver included with your machine.
3. Attach the General Purpose Foot and tighten the screw.
4. Remember to lower the presser foot as you return to regular sewing functions.



FOR THE LOVE OF SEWING