

BABY LOCK SERGER ACCESSORIES

Cording Foot

(BL480A-CF)

Instructions

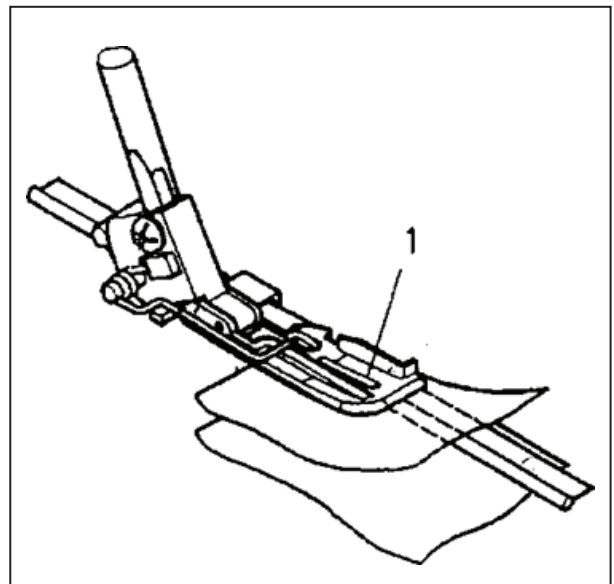
This special sewing foot is used for sewing decorative cording and piping as it finishes the seam in one operation.

MACHINE SETTINGS:

Stitch type:	4-Thread overlock/3-Thread wide
Thread tension:	Standard setting
Needle:	2 needles/left needle for 3-Thread wide
Stitch length:	N
Upper knife:	Engaged
Differential feed:	N
Sewing speed:	Slow to moderate speed

INSERTING THE FABRIC:

1. Raise the sewing foot.
2. Set the needle at the highest position.
3. Place bottom layer, cording tape and top layer (right side to right side) together under the serger foot flush, and insert up to the upper knife.
4. The cording (piping) must be placed in the guide (1).
5. Lower the sewing foot.
6. Make a sewing test.



baby lock

FOR THE LOVE OF SEWING