

BABY LOCK SEWING ACCESSORIES

Open Toe Sole for the Digital Dual-Feed Foot

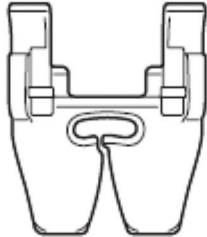
(BLTY-OTDF)

Instructions

There are two styles of soles for the Digital Dual-Feed Foot which can be changed according to your usage. Refer to "Using the Dual-Feed Foot" of "Basic operations" of the instruction manual, for the procedure of detaching and attaching the toe.

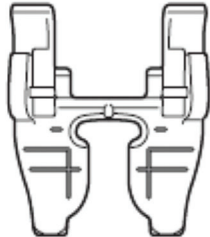
A. Normal toe

A



B. Open toe

B



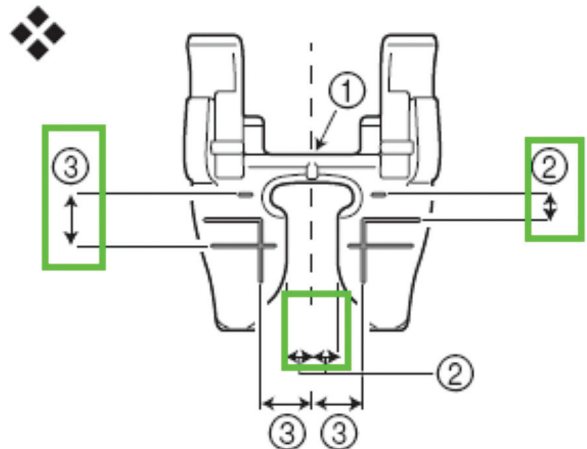
The open tip provides expanded visibility of the needle and area directly in front of the needle. This feature makes it easy to follow marked lines and seams in the fabric.



Reference marks on the toe

When sewing using the marks, select a stitch with a middle (center) needle position.

1. Center needle position
2. 3.2 mm (1/8 inch) for outline quilting, etc.
3. 6.4 mm (1/4 inch) for seam allowance or outline quilting, etc.



Note: When sewing the edge of quilted fabric, upper fabric may be pulled in under the open toe. Be sure to pin or baste the fabric edge before sewing.

baby lock

FOR THE LOVE OF SEWING