

# BABY LOCK SERGER ACCESSORIES

## Alternate Chain/ Cover Stitch Table

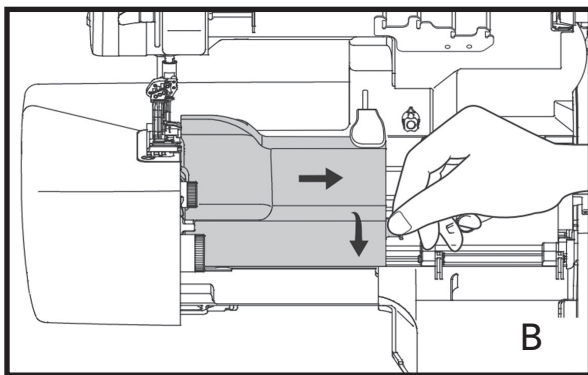
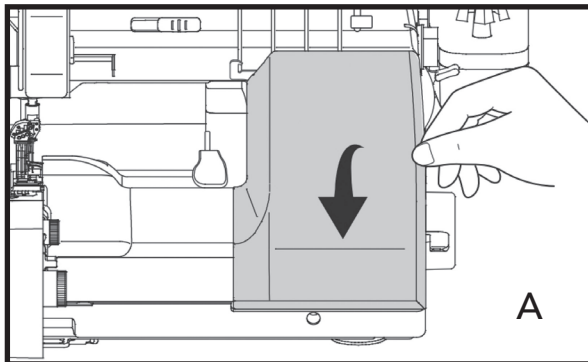
(BLE58-CST)

### Instructions

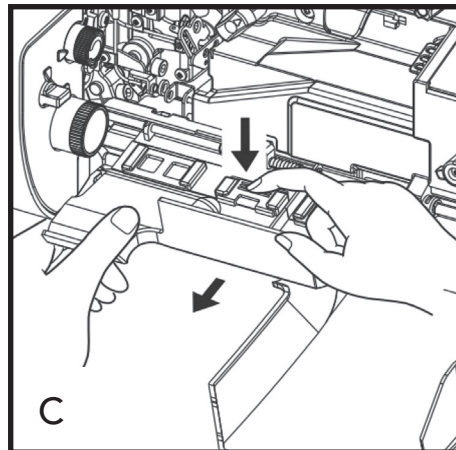
This table has additional holes to attach the Knit Woven Bias Binder for chain/cover stitching on your Baby Lock Ovation serger.

1. To use the Chain/Cover Stitch table for chain/cover stitching, you will need to change the cutting blade cover as follows:

A) Open front cover and cutting blade cover (fig. A & B).



- B) Depress the center snap and gently pull toward you to unsnap cutting blade cover (fig. C) and then snap Chain/Cover Stitch table into place.



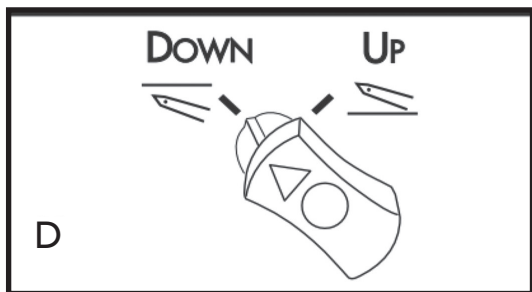
*(Instructions continued on back)*

**baby lock**

**FOR THE LOVE OF SEWING**

[www.babylock.com](http://www.babylock.com)

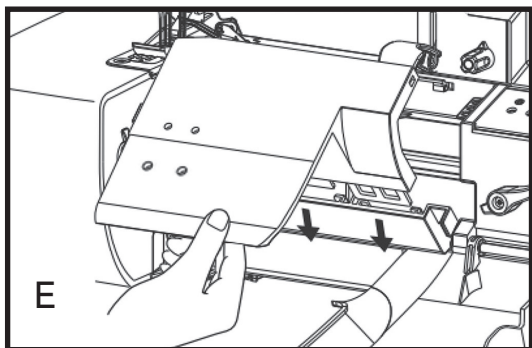
C) Disengage the upper looper by turning the upper looper positioning knob to "Down" (fig. D).



D) Move the stitch width adjusting dial to the 3.0 setting.

E) Turn cutting blade locking dial to "LOCK."

F) To close the Chain/Cover Stitch table door, raise to the "Up" position and slide to the left, placing the tab of the table under the needle plate (fig. E).



**FOR THE LOVE OF SEWING**