

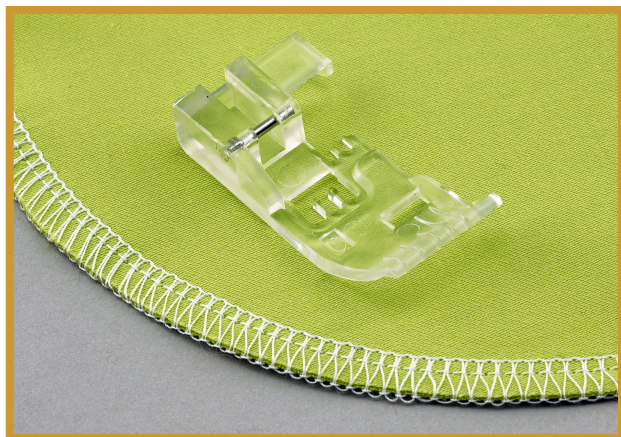
BABY LOCK SERGER ACCESSORIES

Clear Curve Foot

(BLE8-CLVF)

Instructions

The Clear Curve Foot is short and has a flat sole, making it a good choice for stitching curves and sewing over cross seams. Use this foot for better visibility when attaching ribbon and lace, or guiding lightweight decorative stitching around curves. It's short size is also good for sewing around cuffs, necklines and children's wear using the cover stitches.



MACHINE SETTINGS:

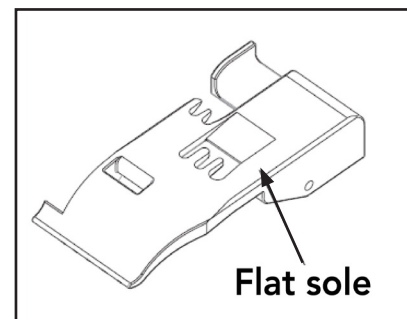
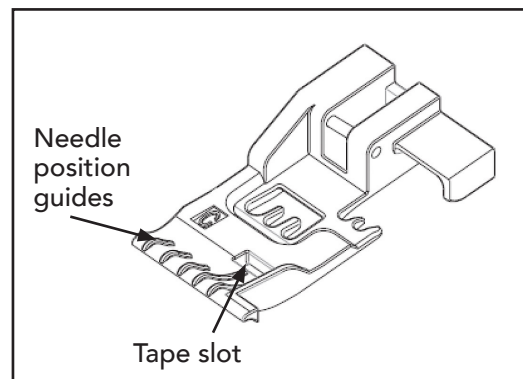
Most stitching applications can be used (select one and check with instruction book for length and width settings for specific stitch selection). However, the Clear Curve Foot does not work using the differential feed while serging, since the foot does not contact the feed dogs completely. Also, this foot will not produce chain-off using the chain stitch.

To Release the Presser Foot:

1. Raise the presser foot lever.
2. Lower the cutting blade.
3. Raise the needles to the highest position.
4. Push the presser foot release lever located at the back of the presser foot holder.
5. Carefully turn the presser foot clockwise 90 degrees.
6. Slide the presser foot to the rear to remove.

To Replace the Presser Foot:

1. Raise the presser foot lever.
2. Lower the cutting blade.
3. Raise the needles to the highest position.
4. Slide the foot from the left to right.
5. Align the bar of the foot with the groove in the holder.
6. Lower the presser foot lever to snap into place.



FOR THE LOVE OF SEWING