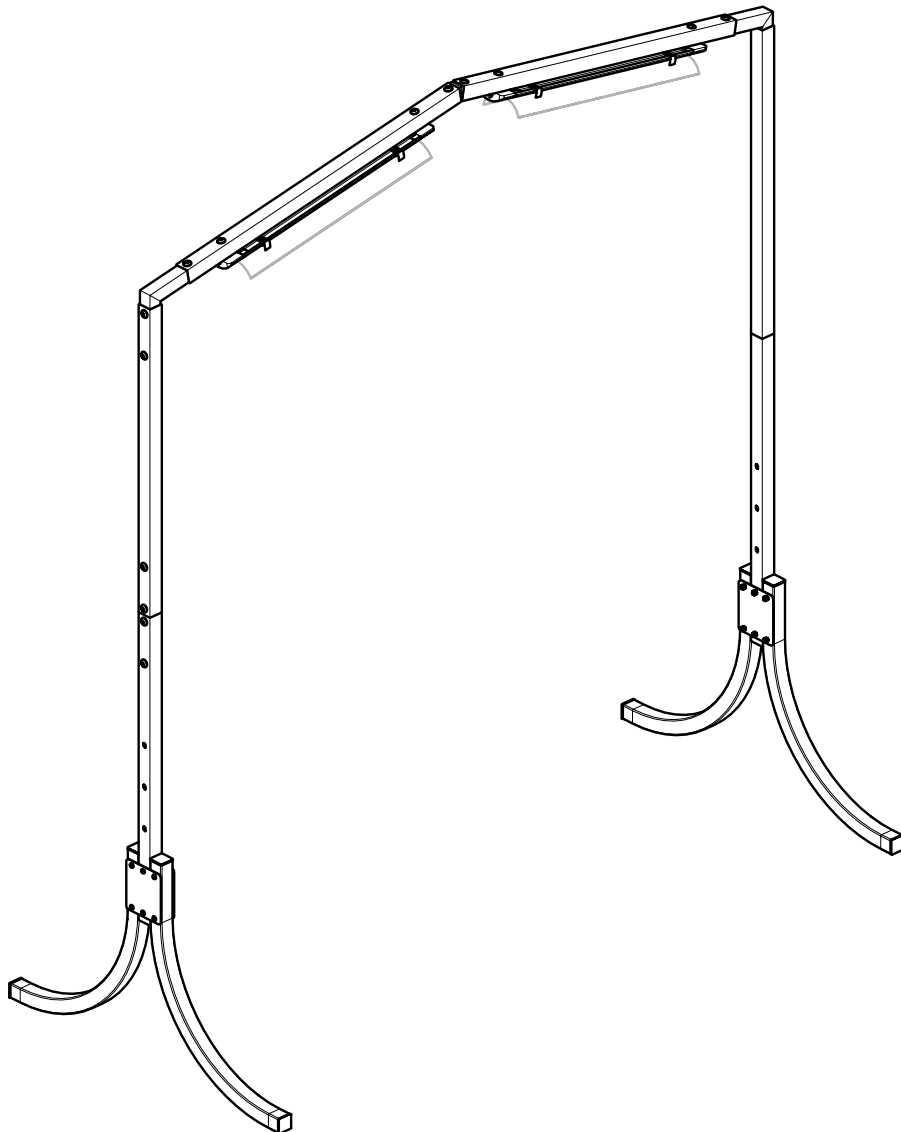


Light Bar 5

(for 5-foot frames)

Assembly Instructions

01/22/19



Parts List - Light Bar 5

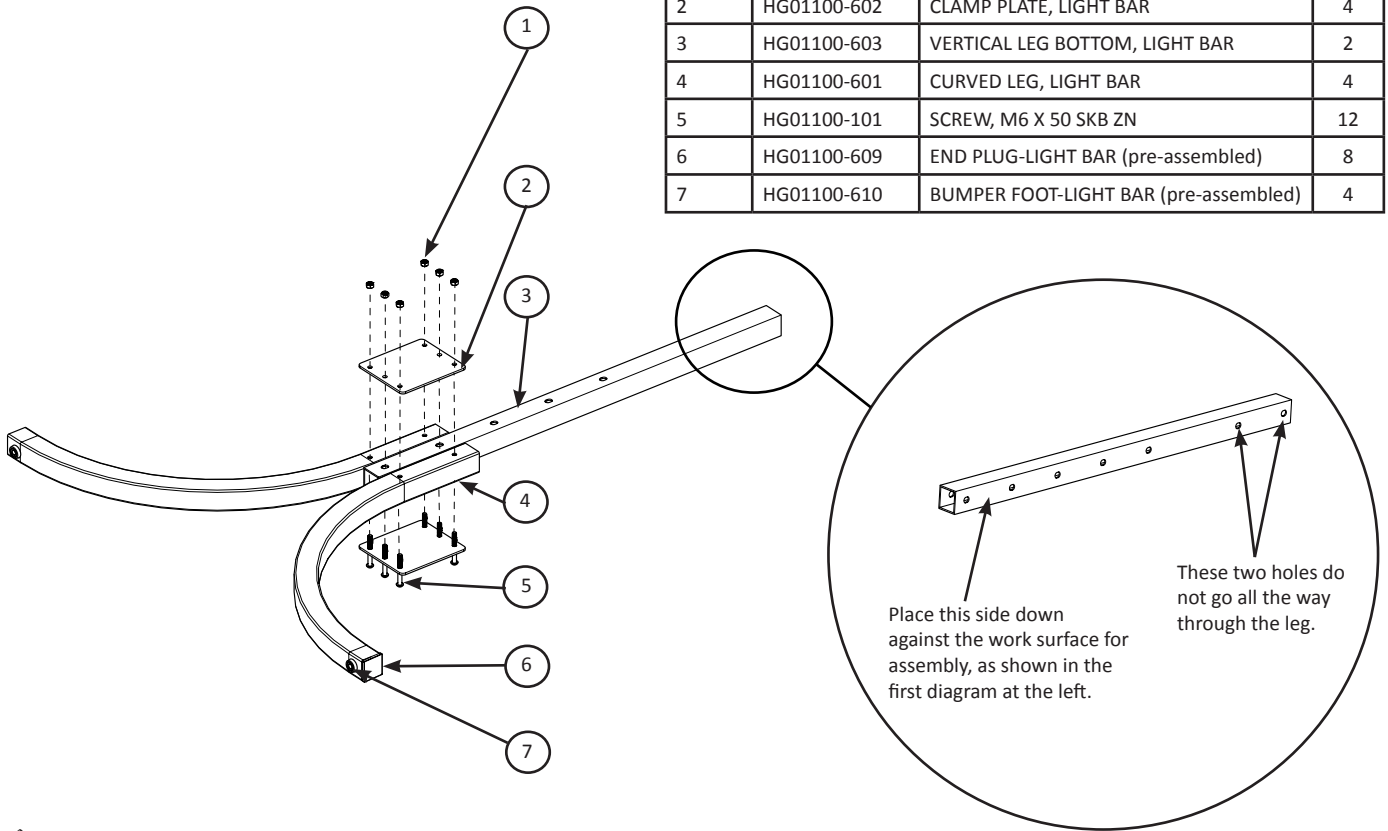
PART #	DESCRIPTION	QTY
HG01100-601	CURVED LEG-LIGHT BAR	4
HG01100-602	CLAMP PLATE-LIGHT BAR	4
HG01100-603	VERTICAL LEG BOTTOM-LIGHT BAR	2
HG01100-604	CORNER CONNECTOR-LIGHT BAR	2
HG01100-612	5-FOOT ANGLED CONNECTOR-LIGHT BAR	1
HG-01100-606	VERTICAL LEG-TOP-LIGHT BAR	2
HG01100-607	TOP TUBE-LIGHT BAR	2
HG01100-101	SCREW-M6 X 50 SKB ZN	12
HG01100-100	NUT-M6 LOCKNUT CLASS 8	12
QF09318-07	SCREW-M8 X 1.25 X 16 SBHCS	20
HG01100-609	END PLUG-LIGHT BAR	8
HG01100-610	BUMPER FOOT-LIGHT BAR	4
QM10289	HEX KEY L 5MM	1
QM10288	HEX KEY L 4MM	1
QF09318-12	WRENCH-POLE ASSEMBLY (10MM)	1
HG01100-605	STRAIGHT CONNECTOR-LIGHT BAR	2
HG01101-100	BATTEN LED LIGHT-LIGHT BAR	2
HG01101-101	CLIP-LIGHT BAR SHADE	4
HG01101-102	SHADE-LIGHT BAR	4
HG01101-103	POWER CORD-LIGHT BAR	1
HG01101-104	INTERCONNECT CORD-LIGHT BAR	1
HG01101-105	POWER SOCKET COVER-LIGHT BAR	1
QM10885	SCREW-M4 X10 PHP ZN	4
HG01101-107	SHORT LOOP VELCRO-LIGHT BAR	8
HG01101-108	LONG HOOK VELCRO-LIGHT BAR	8
HG01101-106	CLIP-POWER CORD U TYPE	6
HG01200-205	INSTRUCTIONS: 10-FOOT LIGHT BAR AND 2-FOOT LIGHT BAR KIT	1

Width Notes:

- The Light Bar 5 is approximately 72.5 inches wide, outside to outside.
 - The inside to inside measurement is about 4 inches narrower than the outside to outside measurement listed above, due to leg tubing, clamp plates and hardware.
- ➡ **IMPORTANT NOTE:** The Light Bar 2 Extension, used to extend an 8/10 foot Light Bar to 12-foot or 14-foot, is not compatible with the Light Bar 5. The Light Bar 2 Extension cannot be added to the Light Bar 5 to make a 7-foot Light Bar.

Section 1: Lower Leg Assembly

ITEM	PART #	DESCRIPTION	QTY
1	HG01100-100	NUT, M6 LOCKNUT CLASS 8	12
2	HG01100-602	CLAMP PLATE, LIGHT BAR	4
3	HG01100-603	VERTICAL LEG BOTTOM, LIGHT BAR	2
4	HG01100-601	CURVED LEG, LIGHT BAR	4
5	HG01100-101	SCREW, M6 X 50 SKB ZN	12
6	HG01100-609	END PLUG-LIGHT BAR (pre-assembled)	8
7	HG01100-610	BUMPER FOOT-LIGHT BAR (pre-assembled)	4



NOTE: The light bar has four height settings. The image above shows the light bar in its highest setting. The highest setting is approximately 81 inches high from the center top of the light bar to the floor; the other settings are about 77 inches, 73 inches and 69 inches at the lowest setting.

Step 1: Place six screws (item 5) through a clamp plate (item 2). Place the plate on a work surface such as a table or floor, with the screws pointing up (as shown).

Step 2: Place one vertical leg bottom (item 3) over the center two screws in the plate as shown.

NOTE: The screws go all the way through the leg parts.

Step 3: Place one curved leg (item 4) over the two right screws in the plate as shown.

Step 4: Place one curved leg (item 4) over the two left screws in the plate as shown.

Step 5: Place one clamp plate over the legs and screws.

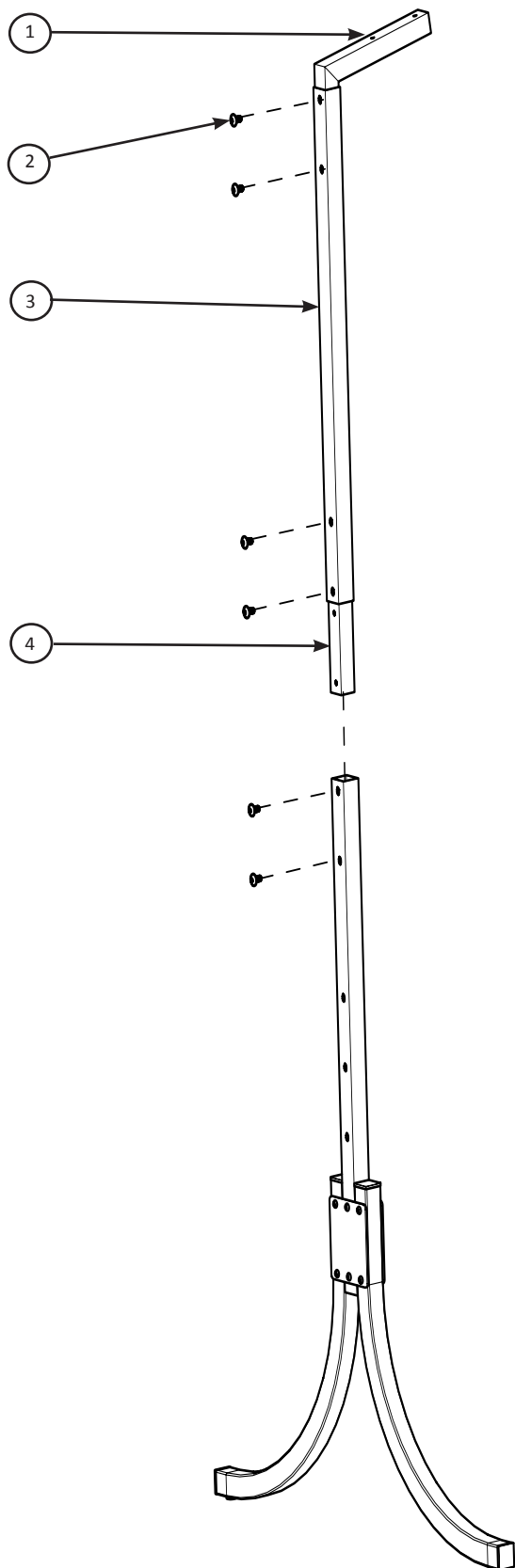
Step 6: Start a locknut (item 1) onto each screw.

Step 7: Orient the leg to access the screwheads and locknuts.

Step 8: Push the two curved legs tight against the vertical leg bottom, hold the lock nut with the 10mm wrench provided. To help prevent paint damage, tighten the screws firmly using the 4mm hex tool while holding the 10mm wrench firmly in place.


Step 9: Repeat steps 1-7 to make a second lower leg assembly.

Section 2: Upper Leg to Lower Leg Assembly



ITEM	PART #	DESCRIPTION	QTY
1	HG01100-604	CORNER CONNECTOR-LIGHT BAR	2
2	QF09318-07	SCREW, M8 X 1.25 X 16 SKBHCS	12
3	HG01100-606	VERTICAL LEG TOP-LIGHT BAR	2
4	HG01100-605	STRAIGHT CONNECTOR-LIGHT BAR	2

Step 1: Place a corner connector (item 1) into an vertical leg top (item 3).

 **NOTE:** The corner has a long and short end. The long end will go into the top bar; the short end goes down into the vertical leg top piece.

Step 2: Insert two screws (item 2) through the vertical leg and into the corner connector.

Step 3: Place a straight connector (item 4) into the bottom of the vertical leg top.

Step 4: Insert two screws (item 2) through the leg into the straight connector.

Step 5: Slide the top leg assembly down over the bottom leg assembly.

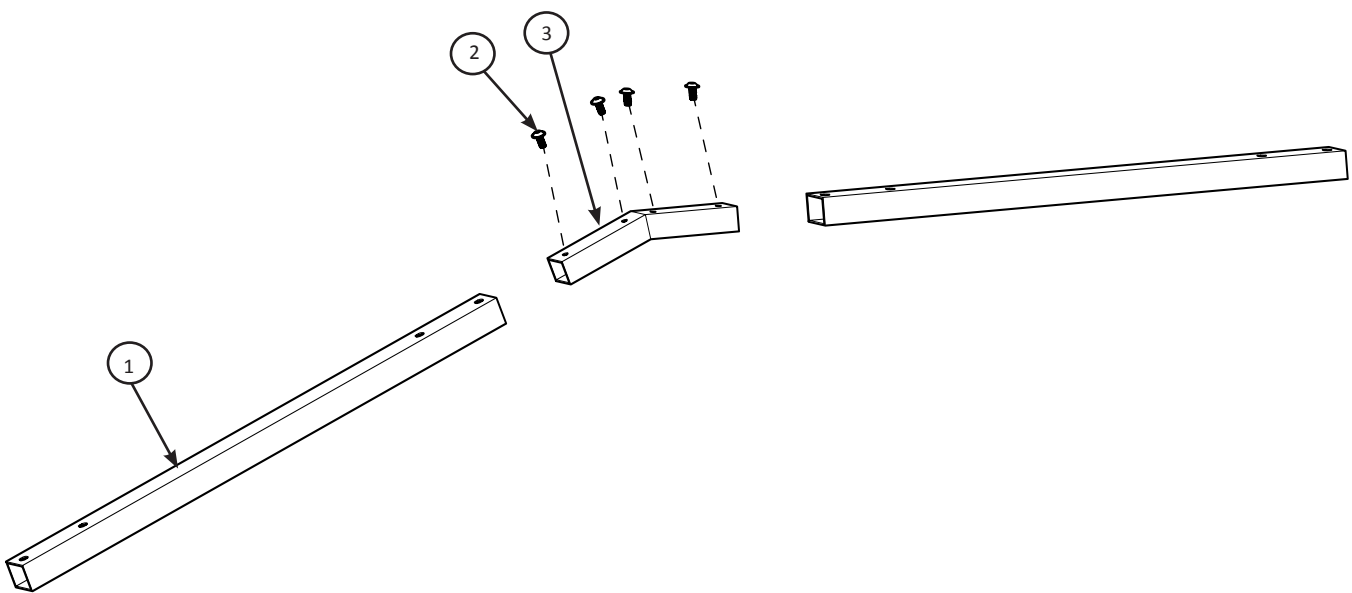
Step 6: Insert two screws (item 2) through the bottom leg assembly into the straight connector.

Step 7: Using the provided 5mm hex tool, tighten the six screws firmly.

Step 8: Repeat steps 1-7 to make another leg assembly.

Section 3: Top Bar Assembly

ITEM	PART #	DESCRIPTION	QTY
1	HG01100-607	TOP TUBE-LIGHT BAR	2
2	QF09318-07	SCREW, M8 X 1.25 X 16 SKBHCS	4
3	HG01100-612	5-FOOT ANGLED CONNECTOR-LIGHT BAR	1



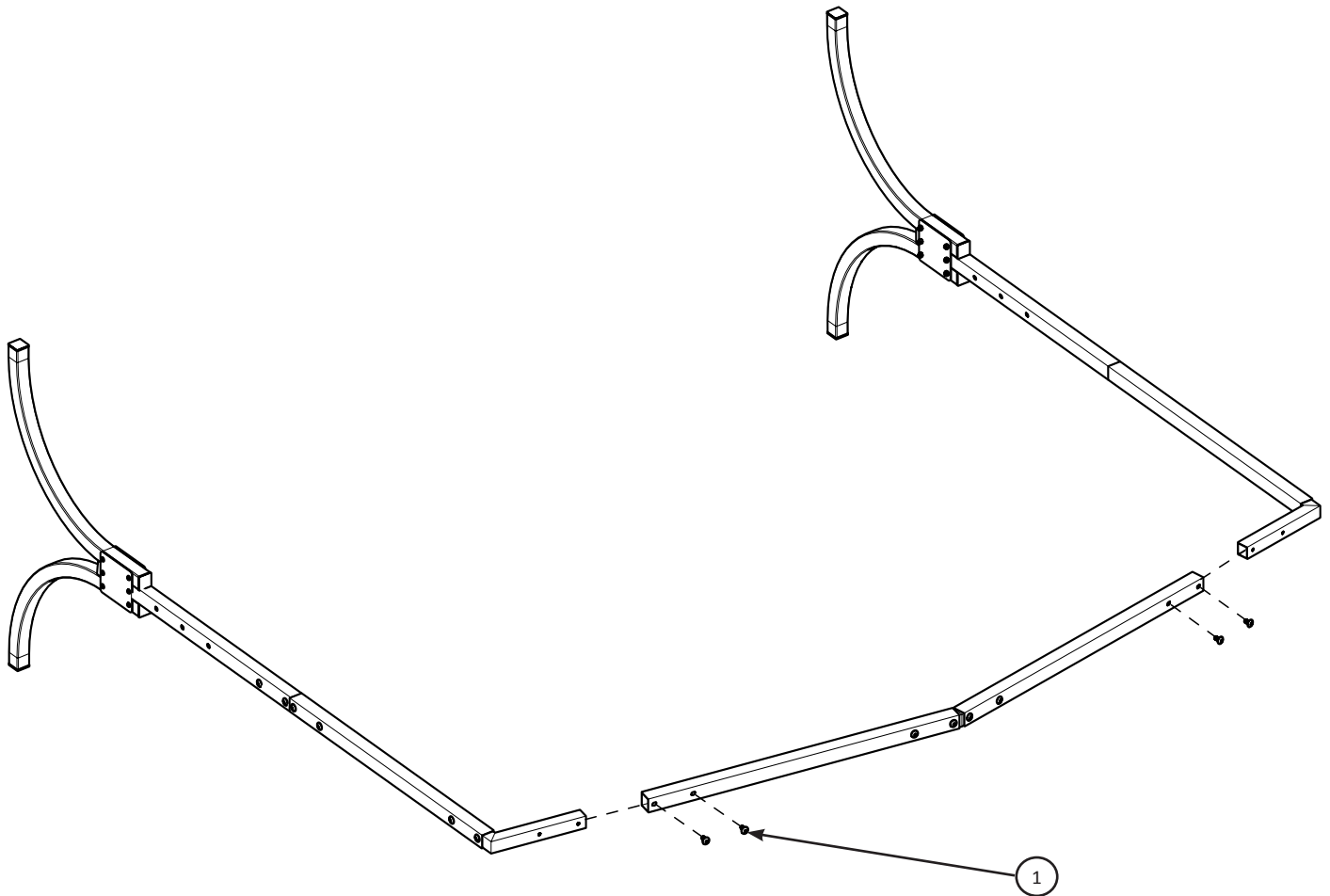
Step 1: Place a 5-foot angled connector (item 3) between two top tubes (item 1).

Step 2: Insert four screws (item 2) through the top tubes into the angled connectors.

Step 3: Tighten all four screws firmly with the 5mm hex tool.

Section 4: Legs to Top Bar Assembly

ITEM	PART #	DESCRIPTION	QTY
1	QF09318-07	SCREW, M8 X 1.25 X 16 SKBHCS	4



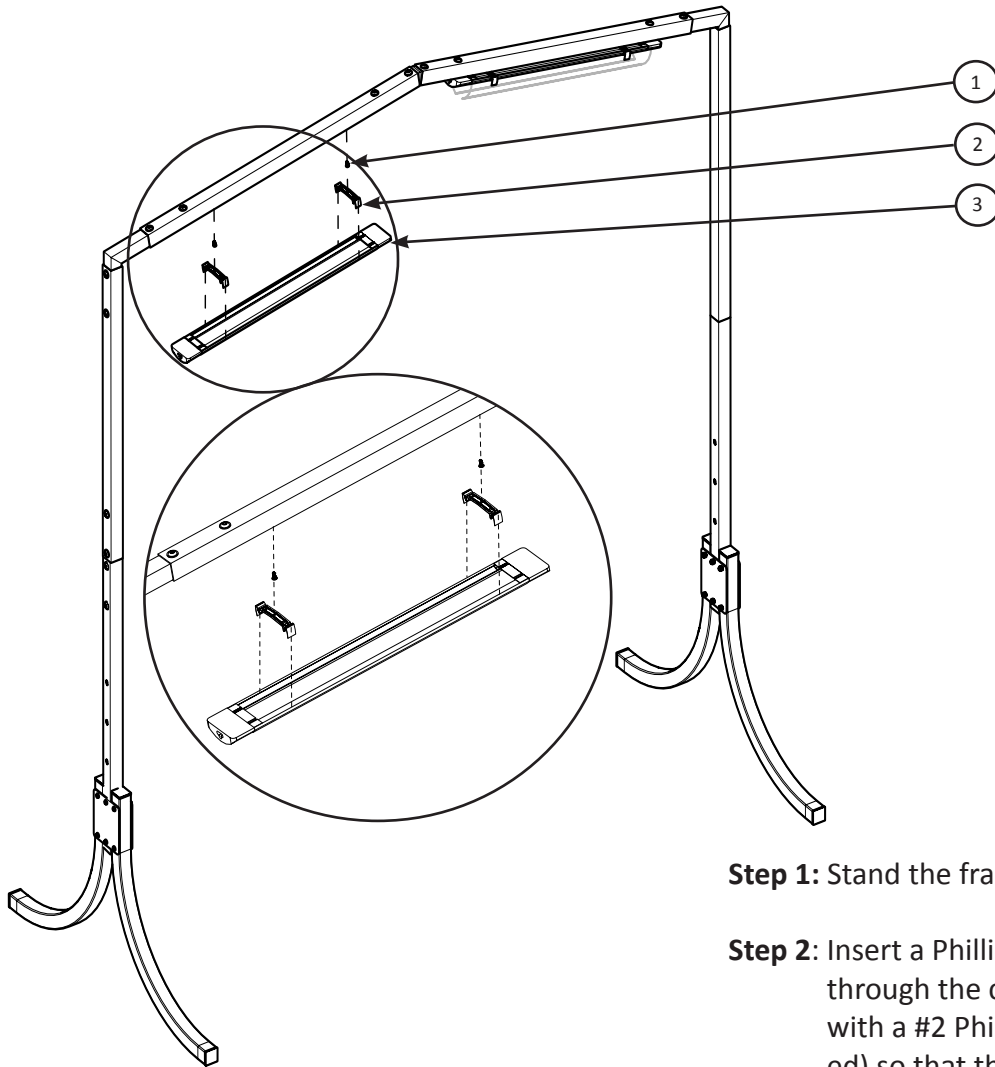
Step 1: Lay the two leg assemblies and the top tube assemblies on the floor as shown.

Step 2: Slide the corner connectors into the top bar assembly.

Step 3: Insert the screws through the top bar assembly into the corner connectors and tighten firmly with the 5mm hex tool provided.

Section 5: Light Assemblies to Top Bar Assembly

ITEM	PART #	DESCRIPTION	QTY
1	QM10885	SCREW, M4 X 10 PHP ZN	4
2	HG01101-101	CLIP-LIGHT BAR SHADE	4
3	HG01100-100	BATTEN LED LIGHT 600MM	2
4	HG01101-104	INTERCONNECT CABLE	1

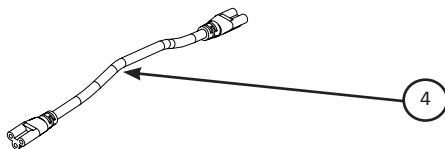


Step 1: Stand the frame upright onto its feet.

Step 2: Insert a Phillips head screw (item 2) through the clip as shown and tighten with a #2 Phillips screwdriver (not provided) so that the clip is perpendicular to the top tube. Repeat for the other clips.

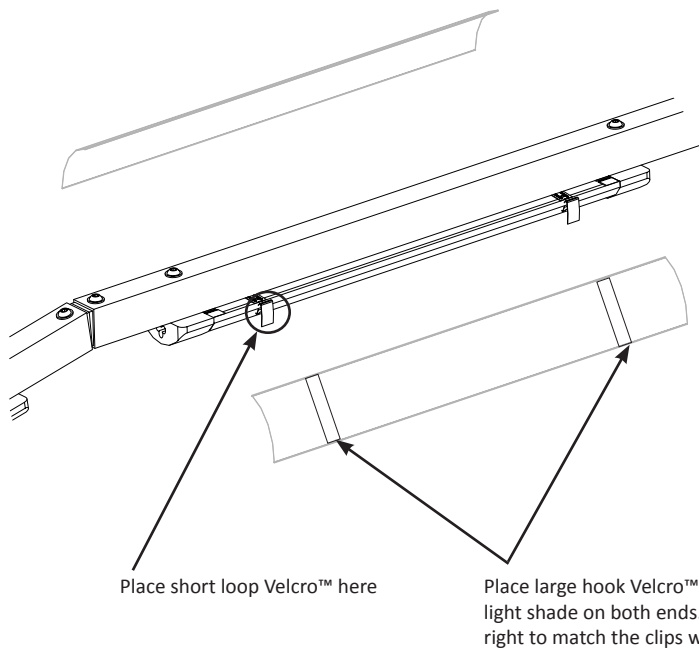
Step 3: Snap each of the LED lights into the clips so they are approximately centered.

NOTE: It is important that the LED lights not be too far apart. The interconnect cords should have a little tension pushing them into the connector, otherwise they will pull out of the LED light assembly.



Step 4: Plug the interconnect cable between the two LED light assemblies.

Section 6: Light Shade Assembly



ITEM	PART #	DESCRIPTION	QTY
1	HG01101-102	SHADE-LIGHT BAR	4
2	HG01101-107	SHORT LOOP VELCRO™-LIGHT BAR	8
3	HG01101-108	LONG HOOK VELCRO™-LIGHT BAR	8

Step 1: Remove the backing from a short loop Velcro™ and place on the clip as shown. Each clip has two pieces of short loop Velcro™.

Step 2: Repeat step 1 on each side of all clips.

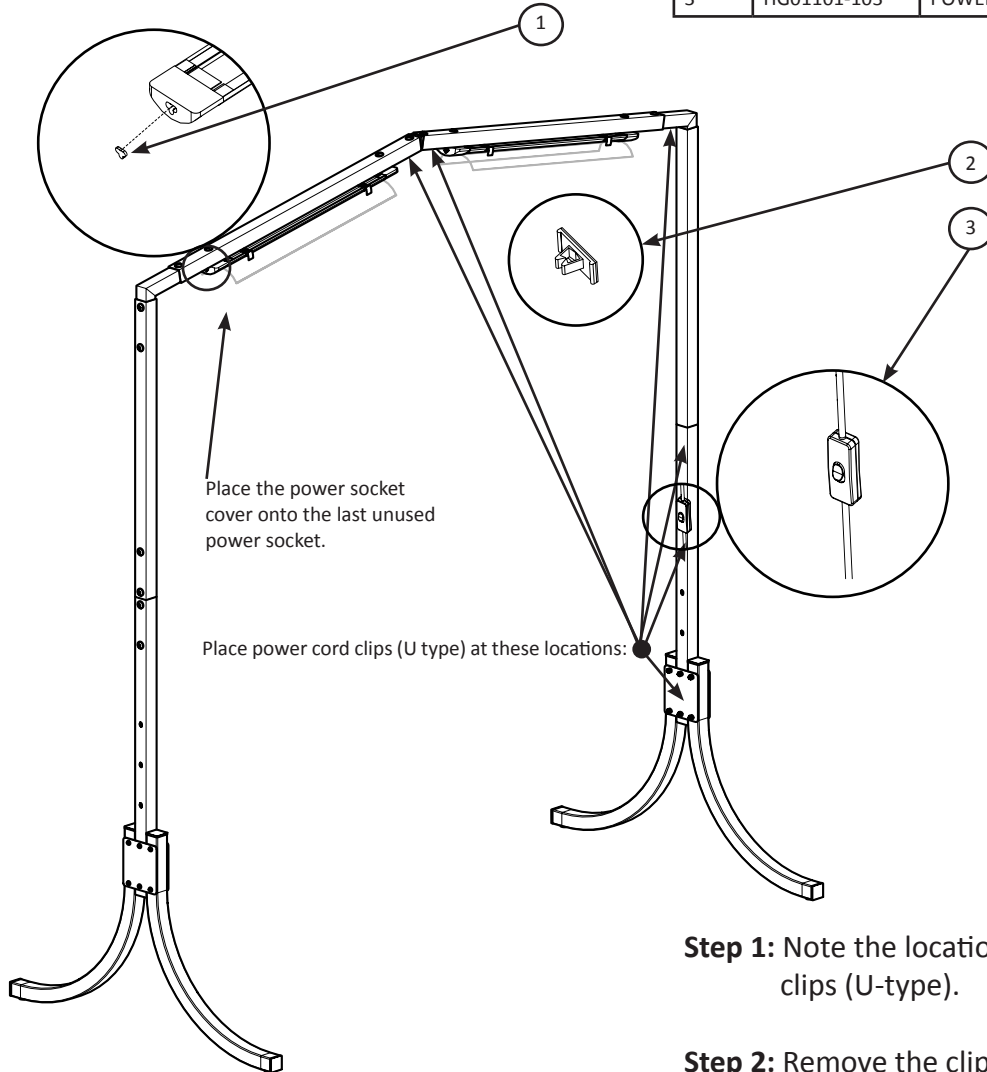
Step 3: Lightly mark with a pencil on the under side of the light shade where the long hook Velcro™ will go. It needs to align with the short loop Velcro™ on the clips.

Step 4: Remove the backing from the long hook Velcro™ and place it on the underside of the light shade on each end.

Step 5: Repeat step 4 for each light shade.

Section 7: Power Cord and Clips


ITEM	PART #	DESCRIPTION	QTY
1	HG01101-105	POWER SOCKET COVER-LIGHT BAR	1
2	HG01101-106	CLIP-POWER CORD U TYPE	6
3	HG01101-103	POWER CORD-LIGHT BAR	1



Step 1: Note the locations for the power cord clips (U-type).

Step 2: Remove the clip backing and press the clips firmly onto the frame at each location shown above.

Step 3: Insert the cord into the tabs.

 **NOTE:** It may be easier to insert the cord into the clips by spreading the two tabs a bit apart first, using a tool such as a screwdriver.

Step 4: Place the power socket cover (item 3) in the last unused socket. This will prevent someone from inadvertently placing anything into the socket.