

Light Bar 8/10

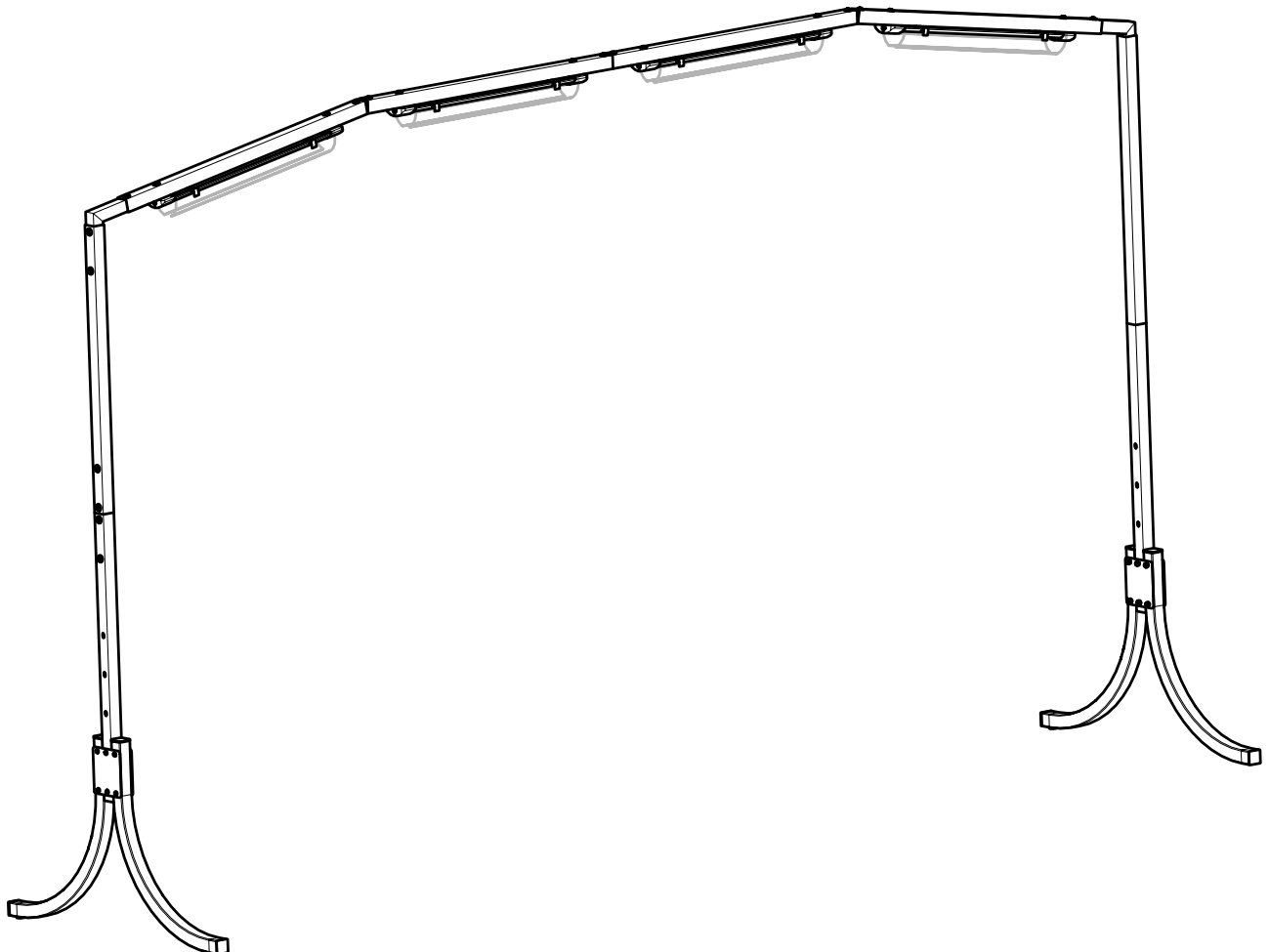
(for 8-foot or 10-foot frames)

Light Bar 2 Extension

(for 12-foot or 14-foot frames)

Assembly Instructions

01/22/19




Parts Lists


Parts List - Light Bar 8/10

PART #	DESCRIPTION	QTY
HG01100-601	CURVED LEG-LIGHT BAR	4
HG01100-602	CLAMP PLATE-LIGHT BAR	4
HG01100-603	VERTICAL LEG BOTTOM-LIGHT BAR	2
HG01100-604	CORNER CONNECTOR-LIGHT BAR	2
HG01100-605	STRAIGHT CONNECTOR-LIGHT BAR	3
HG-01100-606	VERTICAL LEG-TOP-LIGHT BAR	2
HG01100-607	TOP TUBE-LIGHT BAR	4
HG01100-608	TOP ANGLED CONNECTOR-LIGHT BAR	2
HG01100-101	SCREW-M6 X 50 SKB ZN	12
HG01100-100	NUT-M6 LOCKNUT CLASS 8	12
QF09318-07	SCREW-M8 X 1.25 X 16 SBHCS	28
HG01100-609	END PLUG-LIGHT BAR	8
HG01100-610	BUMPER FOOT-LIGHT BAR	4
QM10289	HEX KEY L 5MM	1
QM10288	HEX KEY L 4MM	1
QF09318-12	WRENCH-POLE ASSEMBLY (10MM)	1
HG01101-100	BATTEN LED LIGHT-LIGHT BAR	4
HG01101-101	CLIP-LIGHT BAR SHADE	8
HG01101-102	SHADE-LIGHT BAR	8
HG01101-103	POWER CORD-LIGHT BAR	1
HG01101-104	INTERCONNECT CORD-LIGHT BAR	3
HG01101-105	POWER SOCKET COVER-LIGHT BAR	1
QM10885	SCREW-M4 X 10 PHP ZN	8
HG01101-107	SHORT LOOP VELCRO-LIGHT BAR	16
HG01101-108	LONG HOOK VELCRO-LIGHT BAR	16
HG01101-106	CLIP-POWER CORD U TYPE	7
HG01200-210	INSTRUCTIONS: 10-FOOT LIGHT BAR AND 2-FOOT LIGHT BAR KIT	1

Parts List - Light Bar 2 Extension (optional)

PART #	DESCRIPTION	QTY
HG01101-100	BATTEN LED LIGHT-LIGHT BAR	1
HG01101-101	CLIP-LIGHT BAR SHADE	2
HG01101-102	SHADE-LIGHT BAR	2
HG01101-104	INTERCONNECT CORD-LIGHT BAR	1
QM10885	SCREW-M4 X10 PHP ZN	2
HG01101-107	SHORT LOOP VELCRO-LIGHT BAR	4
HG01101-108	LONG HOOK VELCRO-LIGHT BAR	4
HG01100-611	TOP TUBE-LIGHT BAR 2-FOOT	1
HG01100-605	STRAIGHT CONNECTOR-LIGHT BAR	1
QF09318-07	SCREW-M8 X 1.25 X 16 SBHCS	4
HG01101-106	CLIP-POWER CORD U TYPE	1

 **NOTE 1:** The optional Light Bar 2 Extension, Two Foot Light Bar is used to extend the LightBar 8/10 to 12-foot or 14-foot. It is not designed to extend a Light Bar 5; the degree of the top angled connection tubes are different in the Light Bar 5.

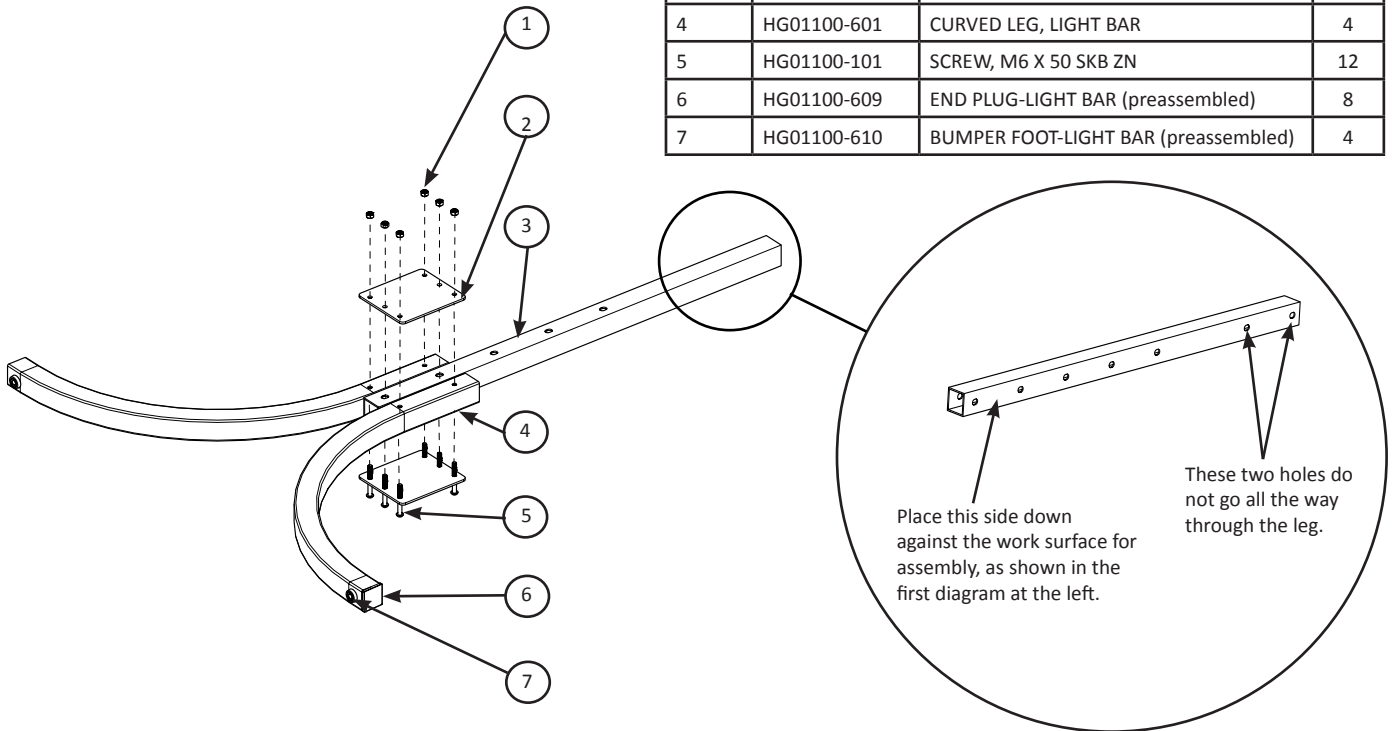
 **NOTE 2:** The Light Bar 2 extension is usually placed into the top bar assembly in the center to make a 12-foot light bar. If one desires a 14-foot light bar, the two foot sections are placed as the second tube from the left and right sides. See the drawing on page 5 for clarification.

Width Notes:

- The Light Bar 8/10 is about 137 inches wide, outside to outside.
- The Light Bar 8/10 with one Light Bar 2 Extension is about 161 inches wide, outside to outside.
- The Light Bar 8/10 with two Light Bar 2 Extensions is about 184.5 inches wide, outside to outside.
- The inside to inside measurement is about inches narrower than the outside to outside measurements listed above, due to leg tubing, clamp plates and hardware.

Section 1: Lower Leg Assembly

ITEM	PART #	DESCRIPTION	QTY
1	HG01100-100	NUT, M6 LOCKNUT CLASS 8	12
2	HG01100-602	CLAMP PLATE, LIGHT BAR	4
3	HG01100-603	VERTICAL LEG BOTTOM, LIGHT BAR	2
4	HG01100-601	CURVED LEG, LIGHT BAR	4
5	HG01100-101	SCREW, M6 X 50 SKB ZN	12
6	HG01100-609	END PLUG-LIGHT BAR (preassembled)	8
7	HG01100-610	BUMPER FOOT-LIGHT BAR (preassembled)	4



NOTE: The light bar has four height settings. The image above shows the light bar in its highest setting. The highest setting is approximately 80 inches high from the center top of the light bar to the floor. The other settings are about 76 inches, 72 inches and 68 inches at the lowest setting.

Step 1: Place six screws (item 5) through a clamp plate (item 2). Place the plate on a work surface such as a table or floor, with the screws pointing up as shown.

Step 2: Place one vertical leg bottom (item 3) over the center two screws in the plate as shown.

NOTE: The screws go all the way through the leg parts.

Step 3: Place one curved leg (item 4) over the two right screws in the plate as shown.

Step 4: Place one curved leg (item 4) over the two left screws in the plate as shown.

Step 5: Place one clamp plate over the legs and screws.

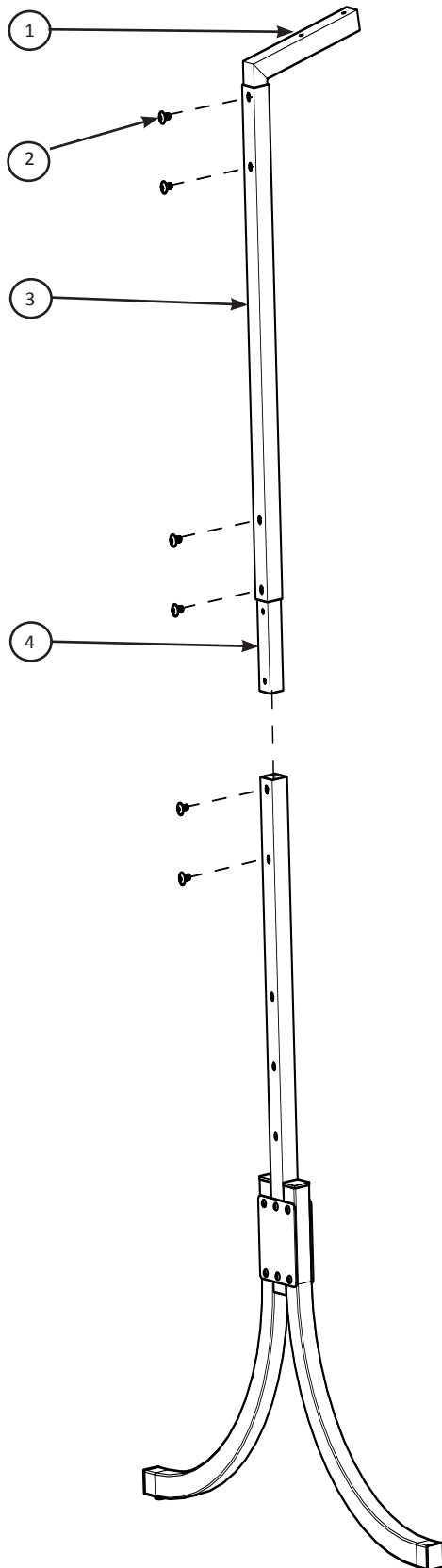
Step 6: Start a locknut (item 1) onto each screw.

Step 7: Orient the leg to access the screwheads and locknuts.

Step 8: Push the two curved legs tight against the vertical leg bottom, hold the lock nut with the 10mm wrench provided. To help prevent paint damage, tighten the screws firmly using the 4mm hex tool while holding the 10mm wrench firmly in place.


Step 9: Repeat steps 1-7 to make a second lower leg assembly.

Section 2: Upper Leg to Lower Leg Assembly



ITEM	PART #	DESCRIPTION	QTY
1	HG01100-604	CORNER CONNECTOR-LIGHT BAR	2
2	QF09318-07	SCREW, M8 X 1.25 X 16 SKBHCS	12
3	HG01100-606	VERTICAL LEG TOP-LIGHT BAR	2
4	HG01100-605	STRAIGHT CONNECTOR-LIGHT BAR	2

Step 1: Place a corner connector (item 1) into a vertical leg top (item 3).

 **NOTE:** The corner has a long and short end. The long end will go into the top bar; the short end goes down into the vertical leg top piece.

Step 2: Insert two screws (item 2) through the vertical leg and into the corner connector.

Step 3: Place a straight connector (item 4) into the bottom of the vertical leg top.

Step 4: Insert two screws (item 2) through the leg into the straight connector.

Step 5: Slide the top leg assembly down over the bottom leg assembly.

Step 6: Insert two screws (item 2) through the bottom leg assembly into the straight connector.

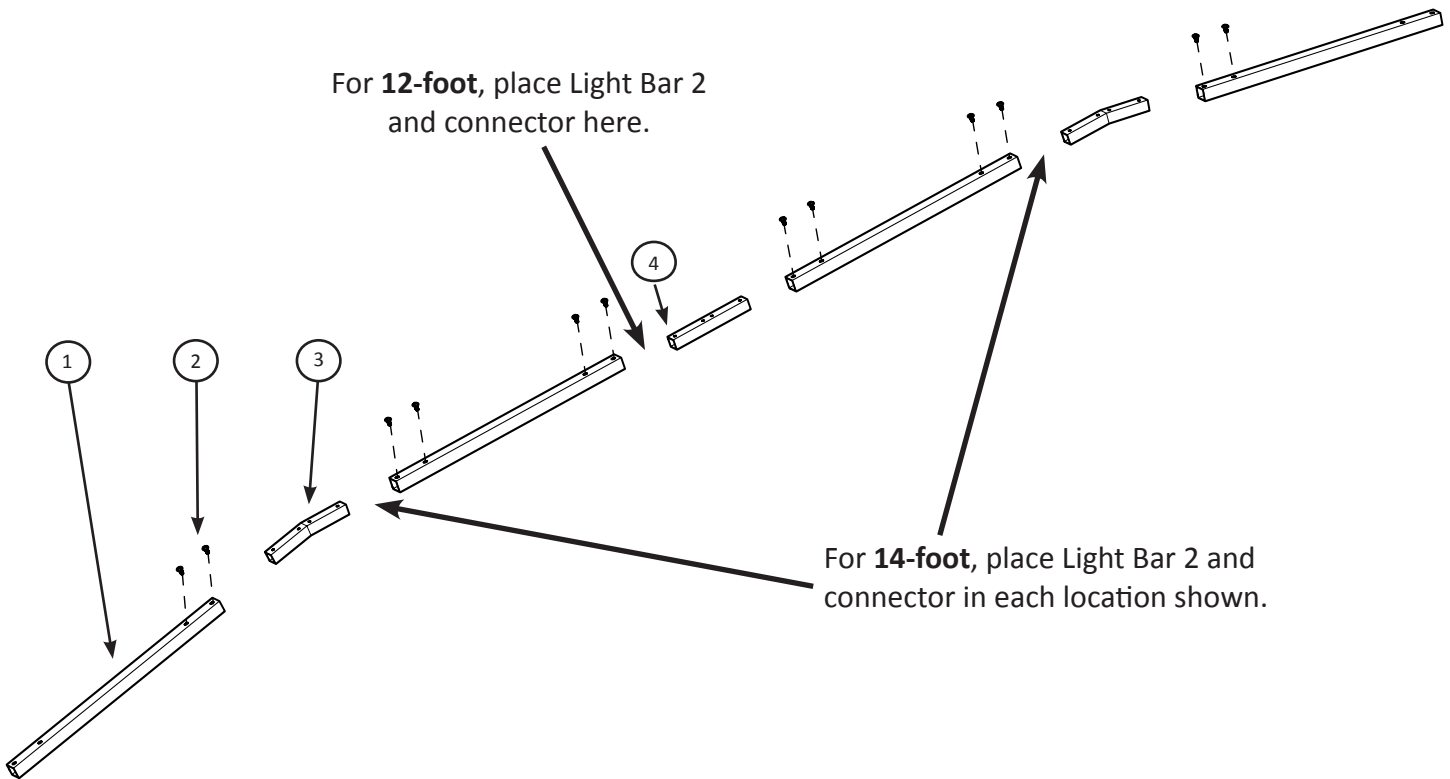
Step 7: Using the provided 5mm hex tool tighten the six screws firmly.

Step 8: Repeat steps 1-7 to make another leg assembly.

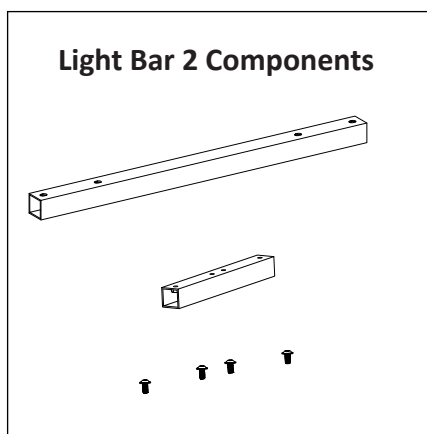
Section 3: Top Bar Assembly

- **Important assembly information for 8-foot:** One of the center top tubes (item 1) and the center straight connector (item 2) are left out when making an 8-foot version light bar.

ITEM	PART #	DESCRIPTION	QTY
1	HG01100-607	TOP TUBE-LIGHT BAR	4
2	QF09318-07	SCREW, M8 X 1.25 X 16 SKBHCS	12
3	HG01100-608	TOP ANGLED CONNECTOR-LIGHT BAR	2
4	HG01100-605	STRAIGHT CONNECTOR-LIGHT BAR	1



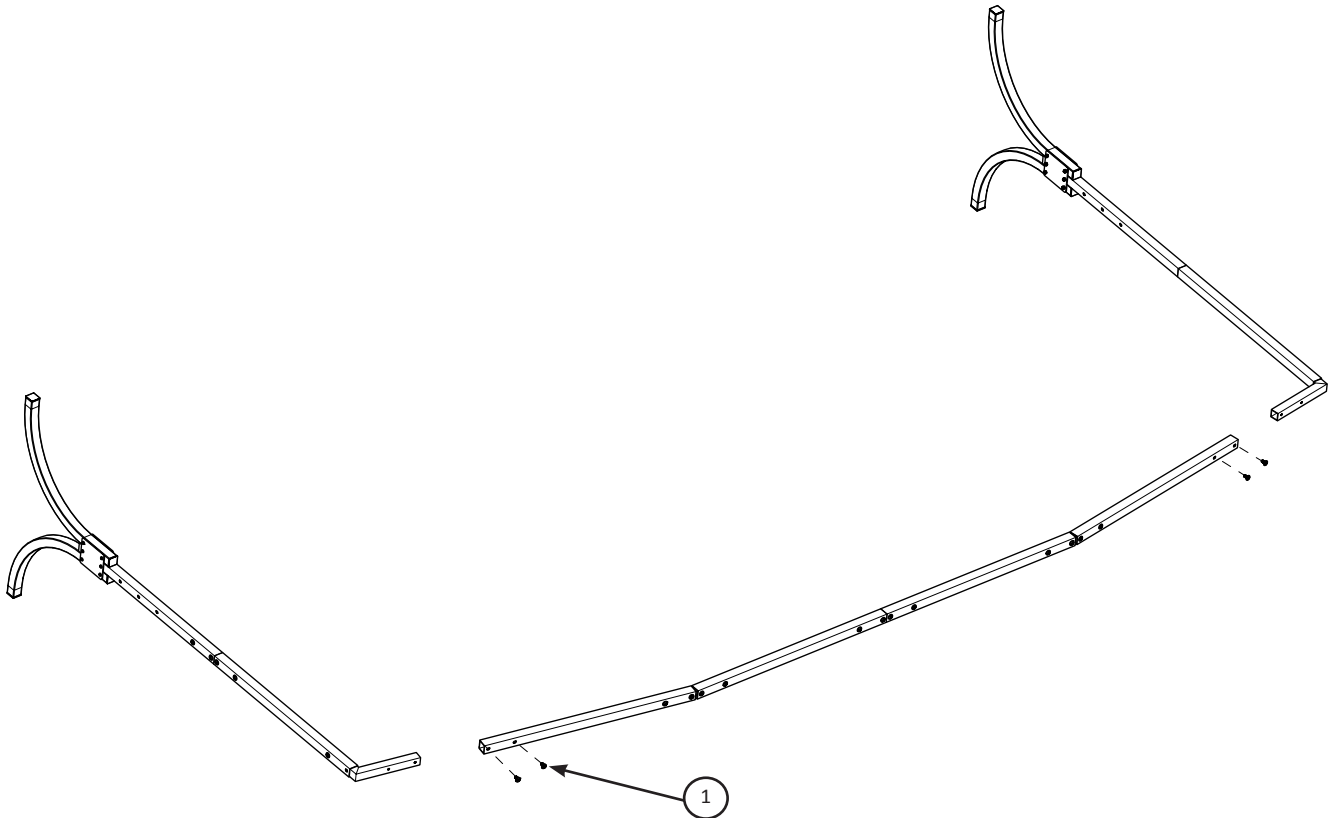
- **Important assembly information for 12-Foot or 14-Foot:** Install the Light Bar 2 components (24 inch top tube, one straight connector and four screws) where shown in diagram above.



- Step 1:** Place a top angled connector (item 3) between two (item 1), top tubes.
- Step 2:** Insert four screws (item 2) through the top tubes into the angled connectors.
- Step 3:** Repeat steps 1 and 2 to make another assembly.
- Step 4:** Place a straight connector (item 4) between the two assemblies as shown.
- Step 5:** Insert four screws (item 1) through the two top bars into the straight connector.
- Step 6:** Tighten all twelve screws firmly with the provided 5mm hex tool.

Section 4: Legs to Top Bar Assembly

ITEM	PART #	DESCRIPTION	QTY
1	QF09318-07	SCREW, M8 X 1.25 X 16 SKBHCS	4



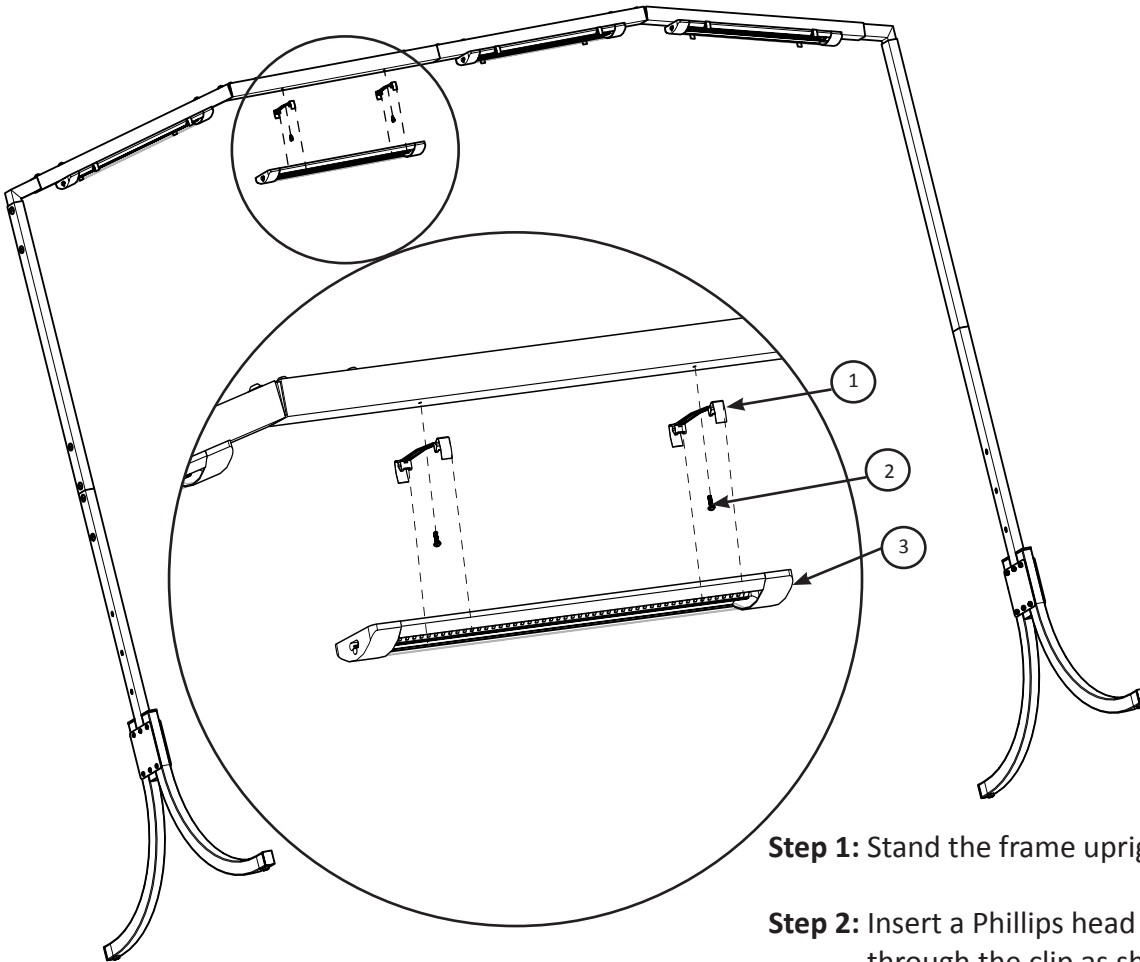
Step 1: Lay the two leg assemblies and the top tube assembly onto the floor as shown.

Step 2: Slide the top corner connectors into the leg assemblies and insert the four screws (item 1).

Step 3: Tighten all four screws firmly with the provided 5mm hex tool.

Section 5: Light Assemblies to Top Bar Assembly

ITEM	PART #	DESCRIPTION	QTY
1	HG01101-101	CLIP-LIGHT BAR SHADE	8
2	QM10885	SCREW, M4 X 10 PHP ZN	8
3	HG01100-100	BATTEN LED LIGHT 600MM	4
4	HG01101-104	INTERCONNECT CORD-LIGHT BAR	3

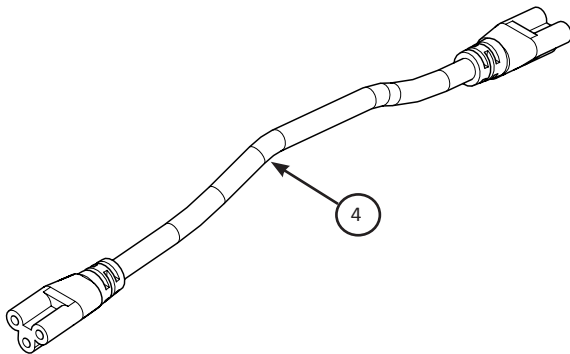


Step 1: Stand the frame upright onto its feet.

Step 2: Insert a Phillips head screw (item 2) through the clip as shown and tighten with a #2 Phillips screwdriver (not provided) so that the clip is perpendicular to the top tube. Repeat for the other clips.

Step 3: Snap each of the LED lights into the clips so they are approximately centered.

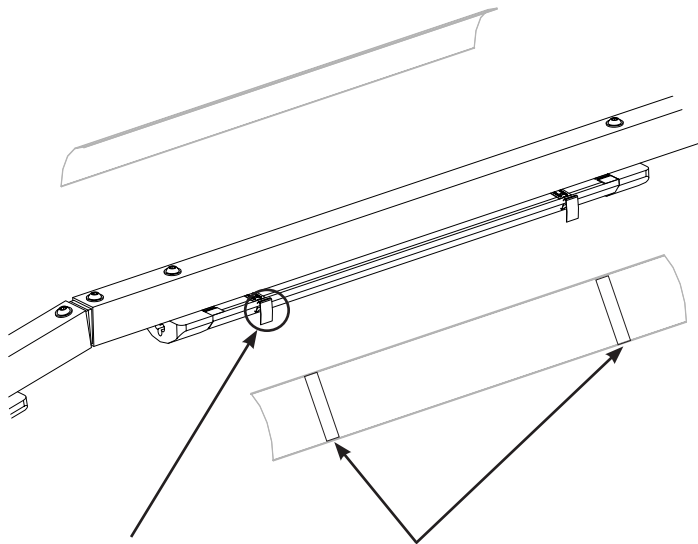
NOTE: It is important that the LED lights not be too far apart. The interconnect cords should have a little tension pushing them into the connector, otherwise they will pull out of the LED light assembly.



Step 4: Plug the interconnect cable between each LED light into the next LED light assembly.

Section 6: Light Shade Assembly

ITEM	PART #	DESCRIPTION	QTY
1	HG01101-102	SHADE-LIGHT BAR	8
2	HG01101-107	SHORT LOOP VELCRO™-LIGHT BAR	16
3	HG01101-108	LONG HOOK VELCRO™-LIGHT BAR	16



Place short loop Velcro™ here onto the metal clips.

Place large hook Velcro™ here on the bottom of the light shade on both ends. Align the Velcro™ left to right to match the metal clips with the short loop Velcro™.

Step 1: Remove the backing from a short loop Velcro™ and place on the clip as shown. Each clip has two pieces of short loop Velcro™.

Step 2: Repeat step 1 on each side of all clips.

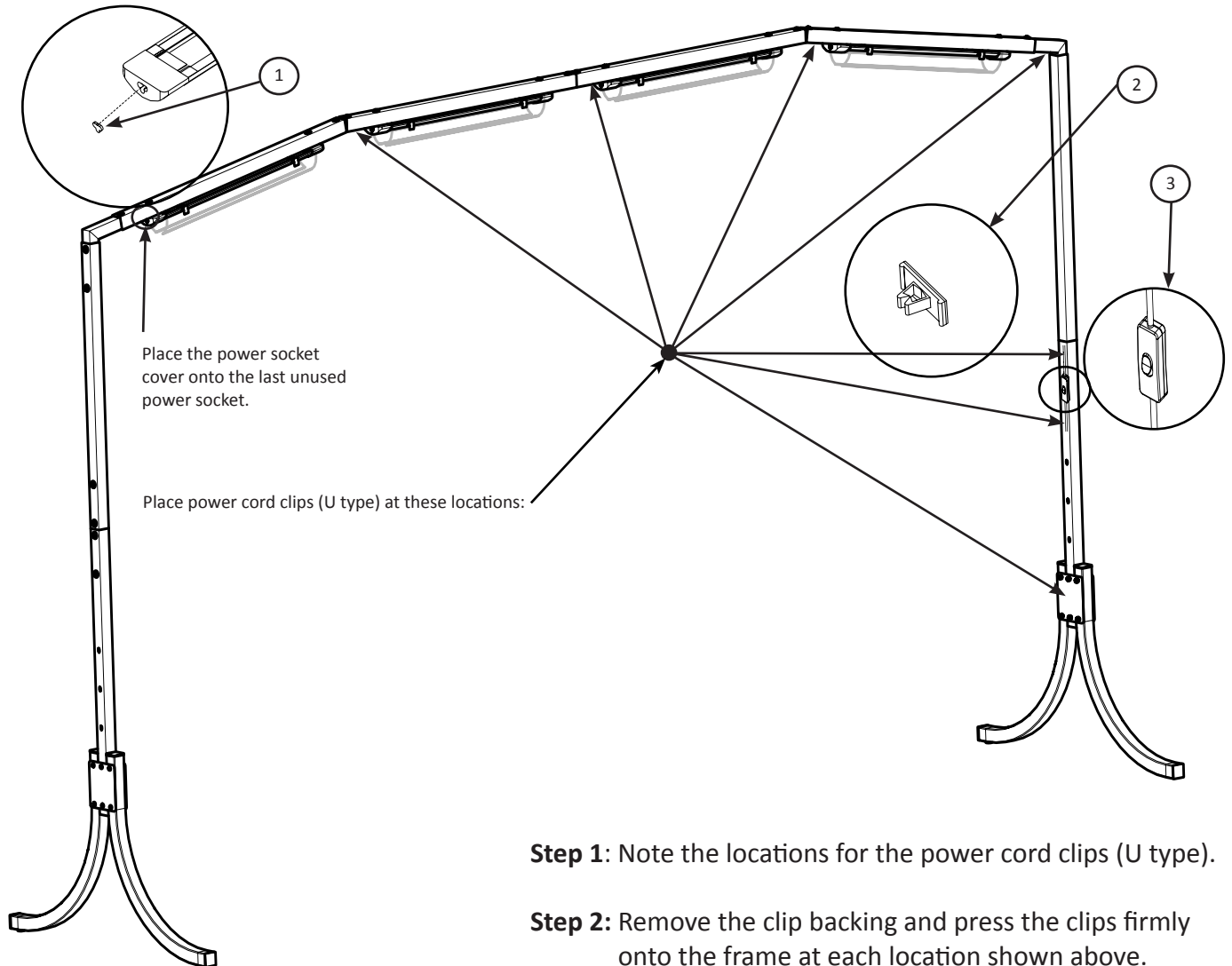
Step 3: Lightly mark with a pencil the underside of the light shade where the long hook Velcro™ will go. It needs to align with the short loop Velcro™ on the clips.

Step 4: Remove the backing from the long hook Velcro™ and place it on the underside of the light shade on each end.

Step 5: Repeat step 4 for each of the light shades.

Section 7: Power Cord and Clips


ITEM	PART #	DESCRIPTION	QTY
1	HG01101-105	POWER SOCKET COVER-LIGHT BAR	1
2	HG01101-106	CLIP-POWER CORD U TYPE	7
3	HG01101-103	POWER CORD-LIGHT BAR	1



Step 1: Note the locations for the power cord clips (U type).

Step 2: Remove the clip backing and press the clips firmly onto the frame at each location shown above.

Step 3: Insert the cord into the tabs.

 **NOTE:** It may be easier to insert the cord into the clips by spreading the two tabs a bit apart first, using a tool such as a screwdriver.

Step 4: Place the power socket cover (item 3) in the last unused socket. This will prevent someone from inadvertently placing anything into the socket.