

Stationary Longarm Table

With Built-In Stitch Regulation

Assembly Instructions

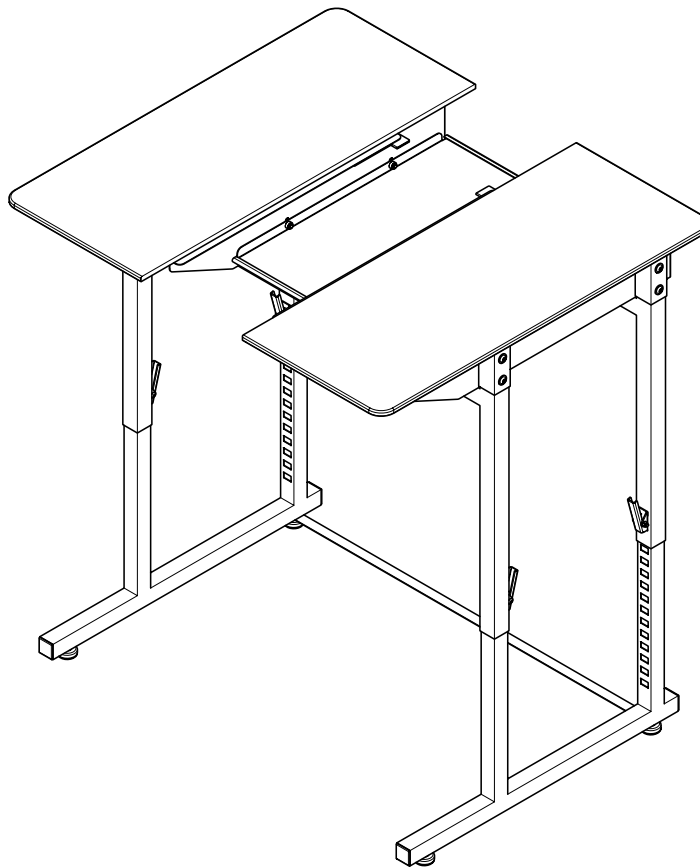


Table of Contents

- 2 What's Included: Parts and Hardware, Assemblies
- 5 Left and Right Table Assemblies to Machine Stand Plate
- 6 Adding Upper and Lower Leg Assemblies
- 7 Turning the Table Right Side Up
- 8 Table Height Adjustment
- 9 Adjusting the Machine Stand Plate

Introduction

This table utilizes an insert that is custom sized to fit specific machines. The insert with built-in stitch regulation and insert assembly instructions are packaged separately.

The table has a height adjustment for fine tuning the machine to the table top insert. The table also has built-in levers and height adjustment for the table top work surface.

What's Included

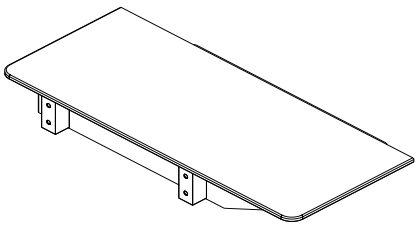
Parts and Hardware

- 2 QT09000-601 Upper Leg Assembly
- 1 QT09000-503 Right Top Rail*
- 12 QT09000-604 Screw, M8 x 12 BHCS w FLNG
- 1 QT09000-401 Table Top Right*
- 1 QT09000-300 Machine Stand Plate
- 1 QT09000-501 Table Top Left*
- 1 QT09000-502 Left Top Rail*
- 2 QT09000-602 Lower Leg
- 4 QT09000-603 Plug End (pre-installed in Lower Legs)
- 4 QT09000-606 Threaded Leveling Foot M10 x 45
- 4 QT09000-605 Screw, M8 x 1.25 x 45 SBHCS ZN
- 26 QM00500-14 Screw, M4 x 6 PHP ZN*
- 1 No part #, Hex Wrench 5mm
- 1 QT09000-506 Crossbar

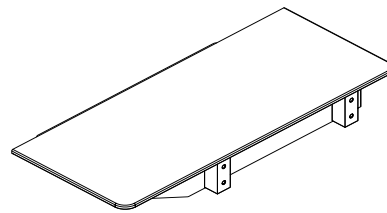
*Assemblies: These parts ship already assembled.

Assemblies

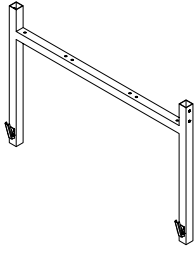
- 1 **QT09000-500:** Left Table Assembly (Includes 1 QT09000-501 Table Top Left, 1 QT09000-502 Left Top Rail, 13 QM00500-14 Screw M4 x 6 PHP ZN, and 2 QT09000-607 M4 x 8 PHP ZN.)
- 1 **QT09000-400:** Right Table Assembly (Includes 1 QT09000-401 Table Top Right, 1 QT09000-503 Right Top Rail, 13 QM00500-14 Screw, M4 x 6 PHP ZN, and 2 QT09000-607 M4 x 8 PHP ZN.)



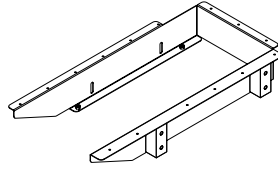
Left Table Assembly
(1) QT09000-500



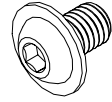
Right Table Assembly
(1) QT09000-400



Upper Leg Assembly
(2) QT09000-601



Right Top Rail
(1) QT09000-503



Screw, M8 x 1.25 x 12 BHCS
w/Flange (12) QT09000-604

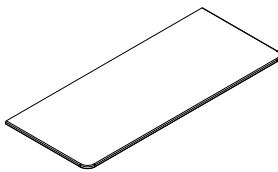
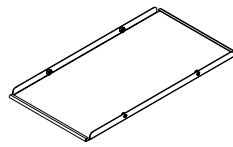


Table Top Right
(1) QT09000-401



Machine Stand Plate
(1) QT09000-300

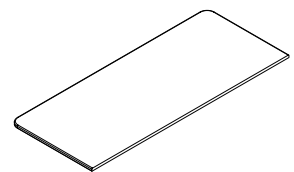
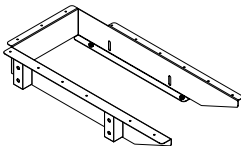
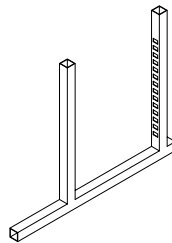


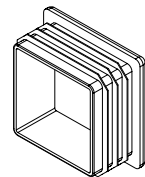
Table Top Left
(1) T09000-501



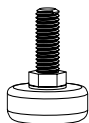
Left Top Rail
(1) QT09000-502



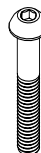
Lower Leg
(2) QT09000-602



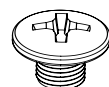
Plug End
(4) QT09000-603



Threaded Leveling Foot
(4) QT09000-606



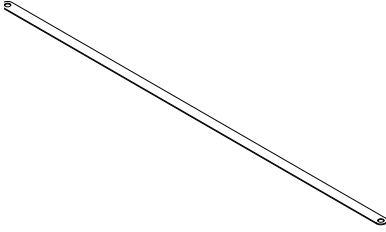
Screw, M8 x 1.25 x 45 BHCS ZN
(4) QT09000-605



Screw, M4 x 6 PHP ZN
(26) QM00500-14



Hex Wrench 5mm
No part #



Crossbar
(1) QT09000-506



Screw, M4 x 8 PHP ZN
(4) QT09000-607



M8 Fender Washer
(4) QT09000-608

Left and Right Table Assemblies to Machine Stand Plate

The left and right table assemblies, when connected to the Machine Stand Plate, create the table top.


Parts Needed

- 1 - Left Table Assembly
- 1 - Right Table Assembly
- 1 - Machine Stand Plate
- 4 - Screw, M8 x 12 SBHCS ZN


Tools Needed

Hex Key Handle 5mm (provided)

1. Place the Right Table Assembly upside down on a protective surface, with the table surface down. It will be on the left side of the Machine Stand Plate.
2. Place the Machine Stand Plate to the right of the Right Table Assembly.

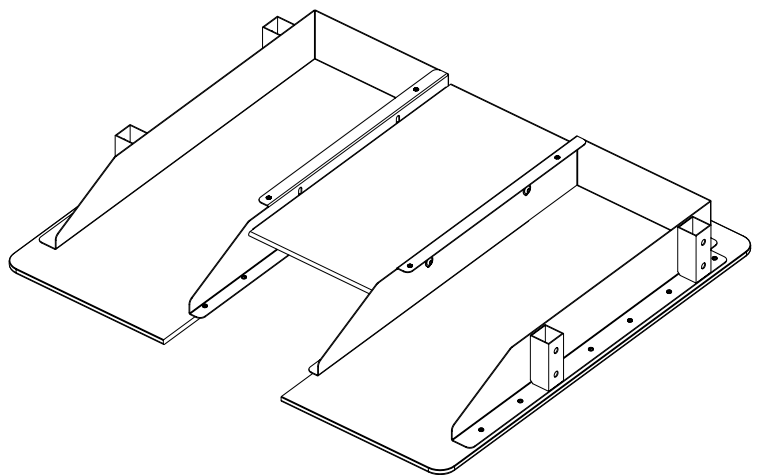
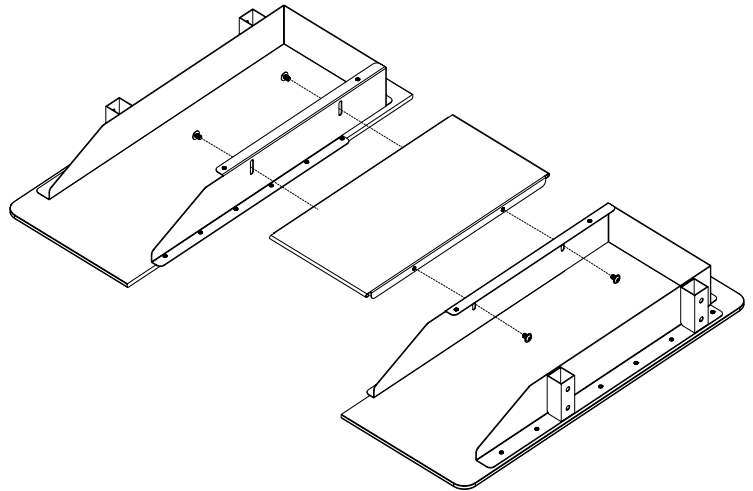
 **NOTE:** The bent flanges of the Machine Stand Plate will be down at this stage of the process.

3. Place the Left Table Assembly to the right of the Machine Stand Plate, with the table surface down.
4. Align the Machine Stand Plate with the Table Assemblies and insert the four M8 x 12 SBHCS through the elongated holes in the Table Assemblies and thread them into the Machine Stand Plate Rivnuts.

 **NOTE:** The elongated holes will allow the machine height to be adjusted to match the table top insert later on. Let the screws and Machine Stand Plate settle to the bottom of the slots for now.

Using a ruler is helpful to align the table assemblies properly.

5. Align and start the four M8 x 12 SBHCS with the hex key handle 5mm. They will get fully tightened later.



Adding Upper and Lower Leg Assemblies


Parts Needed

- 2 - Upper Leg Assembly
- 4 - Screw, M8 x 45 SBHCS ZN
- 8 - Screw, M8 x 12 SBHCS ZN
- 4 - Threaded Leveling Foot
- 1 - Crossbar
- 2 - Lower Leg Assembly
- 4 - M8 Fender Washer

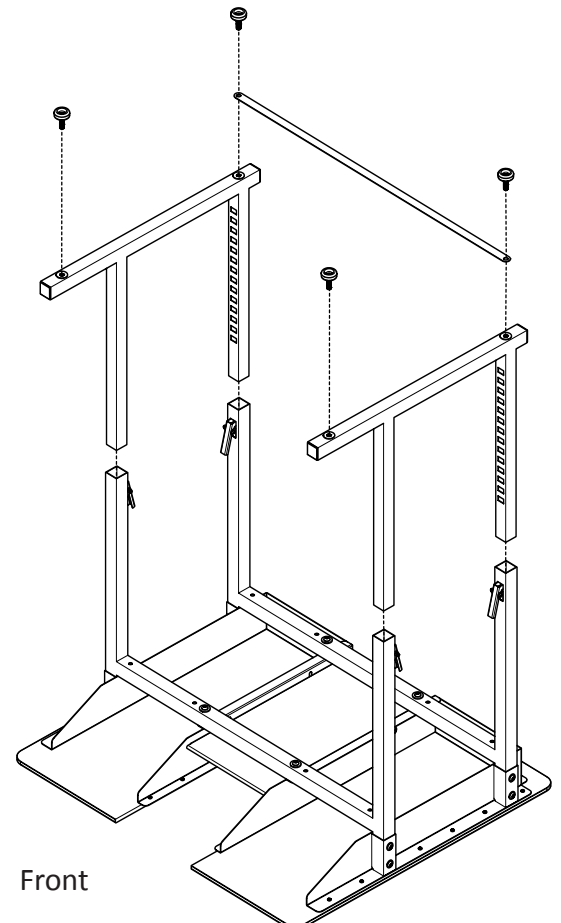
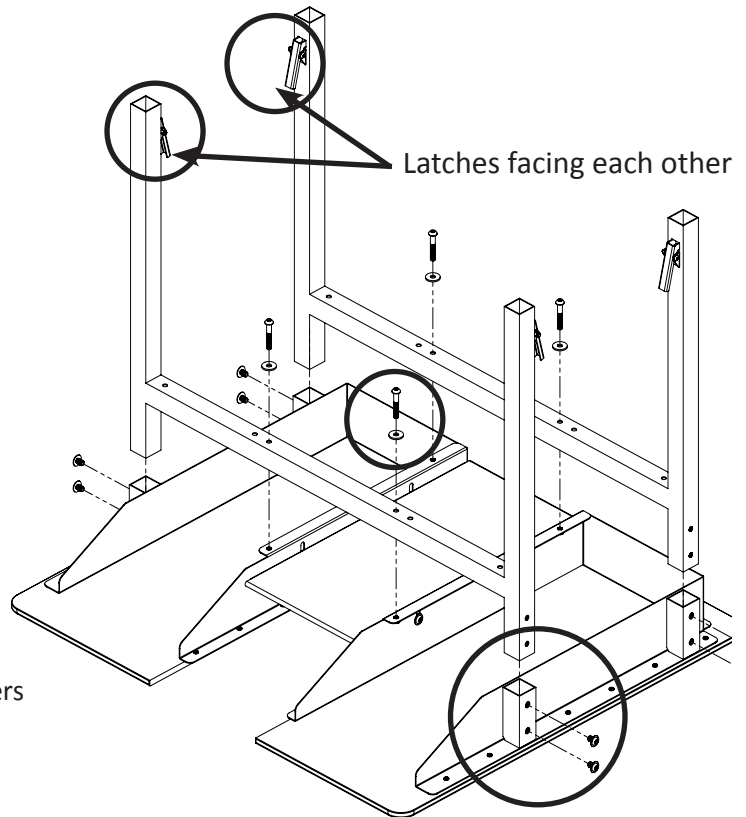
Tools Needed

- Hex Key Handle 5mm (provided)
- 14mm open end wrench (not provided)

- Slide the two Upper Leg Assemblies down into the table top assembly tubes with the height adjustment latches facing each other as shown.
- Place one M8 Fender washer on each of the M8 x 45 SBHCS. There should be a total of 4.
- Align and start the screws M8 x 45 SBHCS with washers into the center holes. Do not tighten the screws at this stage of the assembly.
- Align and start the two screws M8 x 12 into each of the four leg assemblies at each corner. Do not tighten the screws at this stage of the assembly.
- Align the Lower Legs into the upper legs with the elongated leg towards the front as shown.

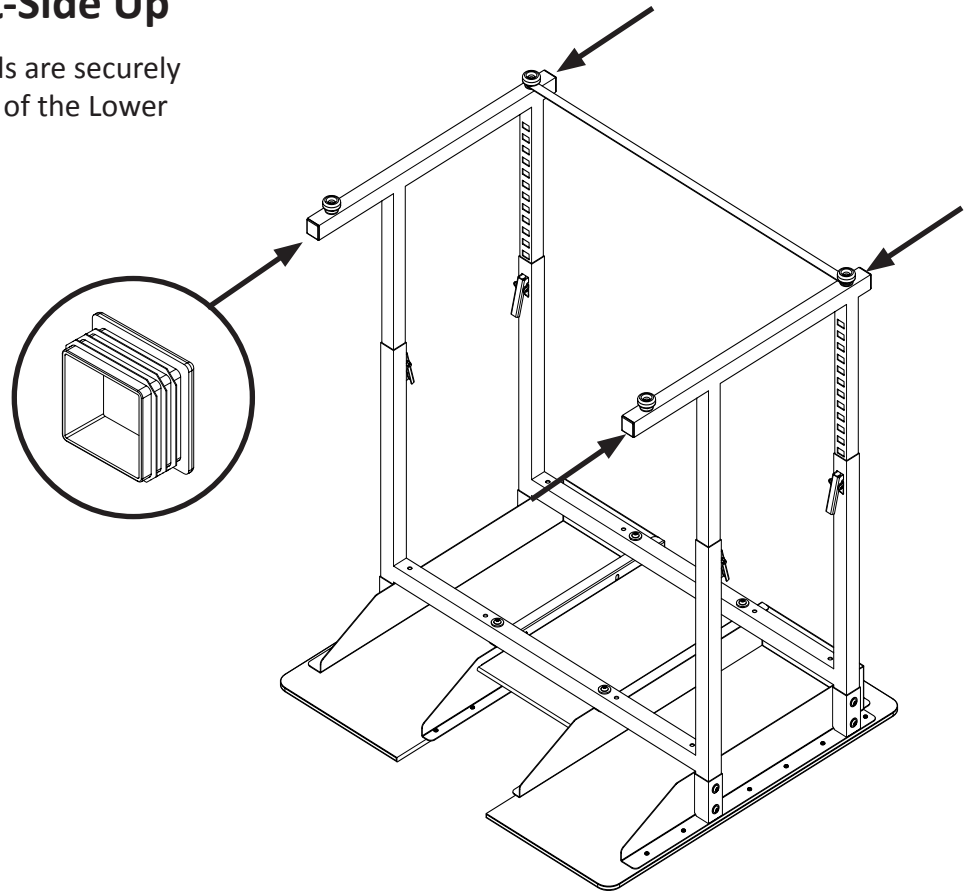
 **NOTE:** It is a little easier to raise the table than it is to lower it, so you may want to set it at its lowest setting.

- With the Lower Legs installed, it is now time to fully tighten the four center screws M8 x 45, the two screws M8 x 12 at each corner leg, and the four M8 x 12 SBHCS screws in the table top assembly (which were used to attach the Machine Stand Plate).
- Lay the Crossbar across the two rear threaded inserts in the Lower Legs. Install the two rear Threaded Leveling Feet through the cross bar and into the Lower Leg about half way.
- Install the two front Threaded Leveling Feet and thread them into the Lower Legs about half way. This will allow for easier leveling adjustment later, if needed. Use a 14mm open end wrench to adjust the feet.



Turn the Table Right-Side Up

1. Verify that the four Plug Ends are securely inserted into the open ends of the Lower Legs.



2. With the help of a second person, turn the table right-side up.

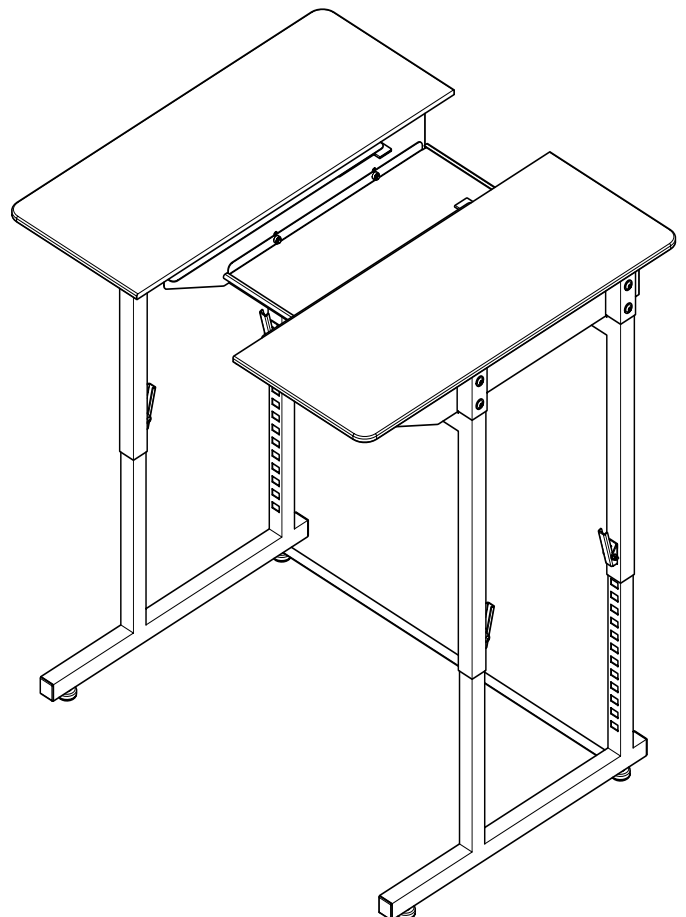
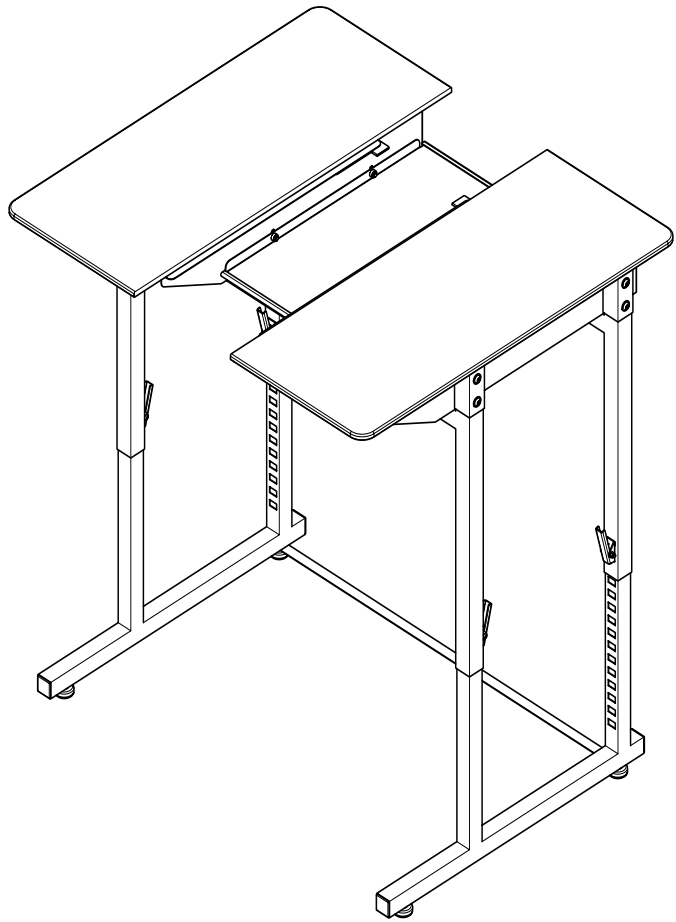



Table Height Adjustment

1. With the help of a second person, place one foot lightly onto the lower leg assembly. Simultaneously lift on the table top and raise it one click at a time until you reach the desired height.
2. To lower the table, first remove the machine. With the help of a second person disengage the two latches on each leg and lower the table one click at a time until you reach the desired height.



Adjust Machine Stand Plate

1. Place the machine in the table on the Machine Stand Plate.
2. Align the machine with the opening.
3. Using a ruler or level to span the opening in the table, compare the height of the machine bed to the table top. At this point the plate may be too high or low.
4. To adjust the height, carefully loosen the two front screws holding the Machine Stand Plate, and adjust the plate up or down as needed until the desired height is achieved. Lightly tighten these two screws.
5. The rear of the machine is much heavier than the front of the machine. Carefully loosen the two rear screws holding the Machine Stand Plate, and adjust the plate up or down as needed until the desired height is achieved. Lightly tighten these two screws.
6. Firmly tighten the four Machine Stand Plate screws.

 **NOTE:** This table utilizes an insert that is custom sized to fit specific machines. The insert with built-in stitch regulation sensors and cables for attaching to your stationary longarm machine, and insert assembly instructions are packaged separately.

