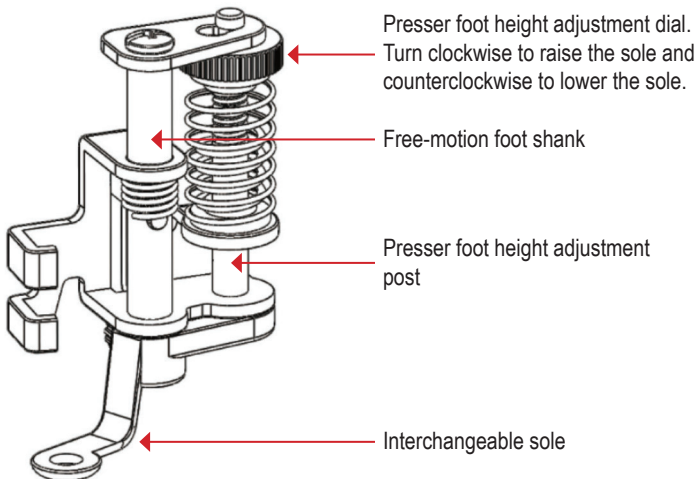


BABY LOCK SEWING ACCESSORIES

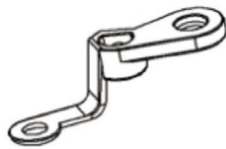
Free-Motion Foot Combo Set

(BLSA-FMQS)

This Free-Motion Quilting Foot Set comes with a main shank and four interchangeable soles. Use this set for all your free-motion quilting needs including general free-motion quilting, quilting on uneven fabric thicknesses, echo quilting effects and even ruler work.



This closed toe free-motion quilting sole is for general free-motion stitching on the machine.



This open-toe quilting sole offers excellent visibility while free-motion quilting and is recommended when stitching fabrics of uneven thicknesses, such as quilts with bulky seams.



This sole is a clear disk with measured guides to create perfect free-motion rippling effects with even spacing and accurate stitching – perfect for creating echo quilting stitches around appliqué or other patterns.



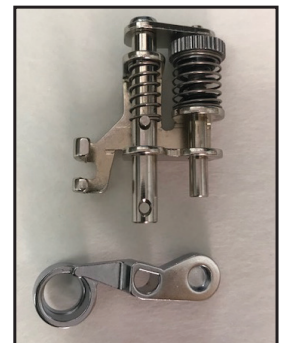
The ruler sole allows you to quilt beautiful designs using quilting rulers and acrylic templates of 1/4" thickness.



Instructions:

1. Start by attaching the appropriate sole to the shank of the Free-Motion Foot before attaching the foot to the machine.

a. To attach the sole to the shank, remove the small screw at the bottom of the shank.



b. Align the flat side of the free-motion foot shank with the flat side of the hole in the sole. The base of the presser foot height adjustment post must also fit into the small indentation in the sole.



c. Use a screwdriver to securely tighten the screw to attach the sole to the foot's shank.



Instructions:

2. Set the machine to free-motion sewing mode, which includes lowering the feed dogs.
3. Select a center needle straight stitch.
4. Raise the presser foot and remove the standard presser foot and the holder from the machine's presser bar.

TIP: For high-shank machines, attach the adapter before attaching the Free-Motion Quilting Foot.

5. Attach the Free-Motion Quilting Foot to the machine presser bar and tighten the presser foot holder screw using a screwdriver. Be sure to securely tighten the screw to prevent the foot from shifting, which can cause the needle to bend or break.
6. Position your project under the foot, then lower the presser foot.
7. Rotate the dial on the top of the presser height adjustment post to raise or lower the sole so that the sole is slightly (about 1mm) above the surface of the quilt. With the needle raised, move your quilt under the foot to see if you can move it without resistance. If you experience resistance when moving the quilt, turn the dial clockwise to raise the sole. The sole of the foot remains constant; this foot will not hop into a higher position as you sew.
8. Using both hands to keep the fabric taut, move the quilt at a steady and consistent pace to sew uniform stitches.



FOR THE LOVE OF SEWING